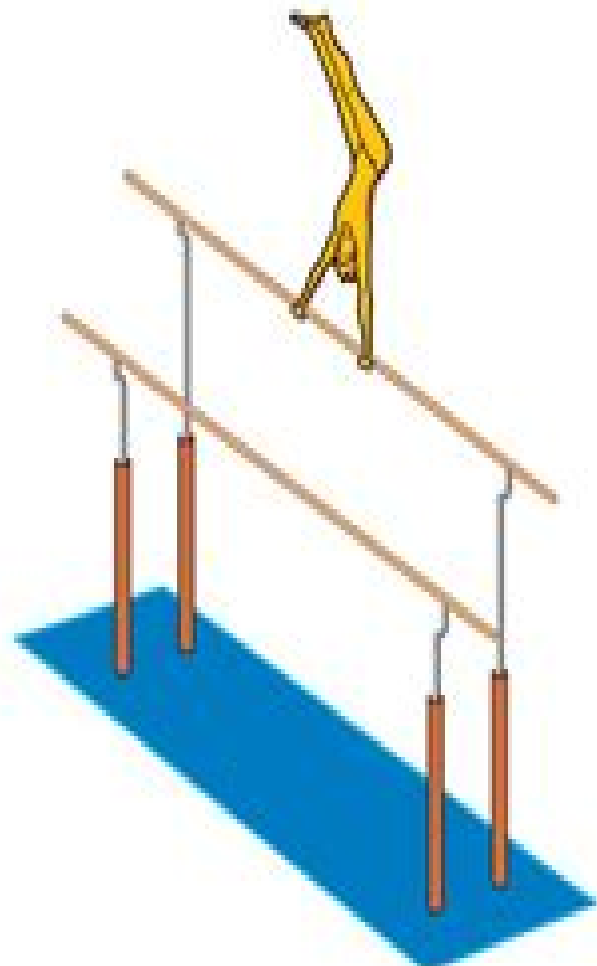
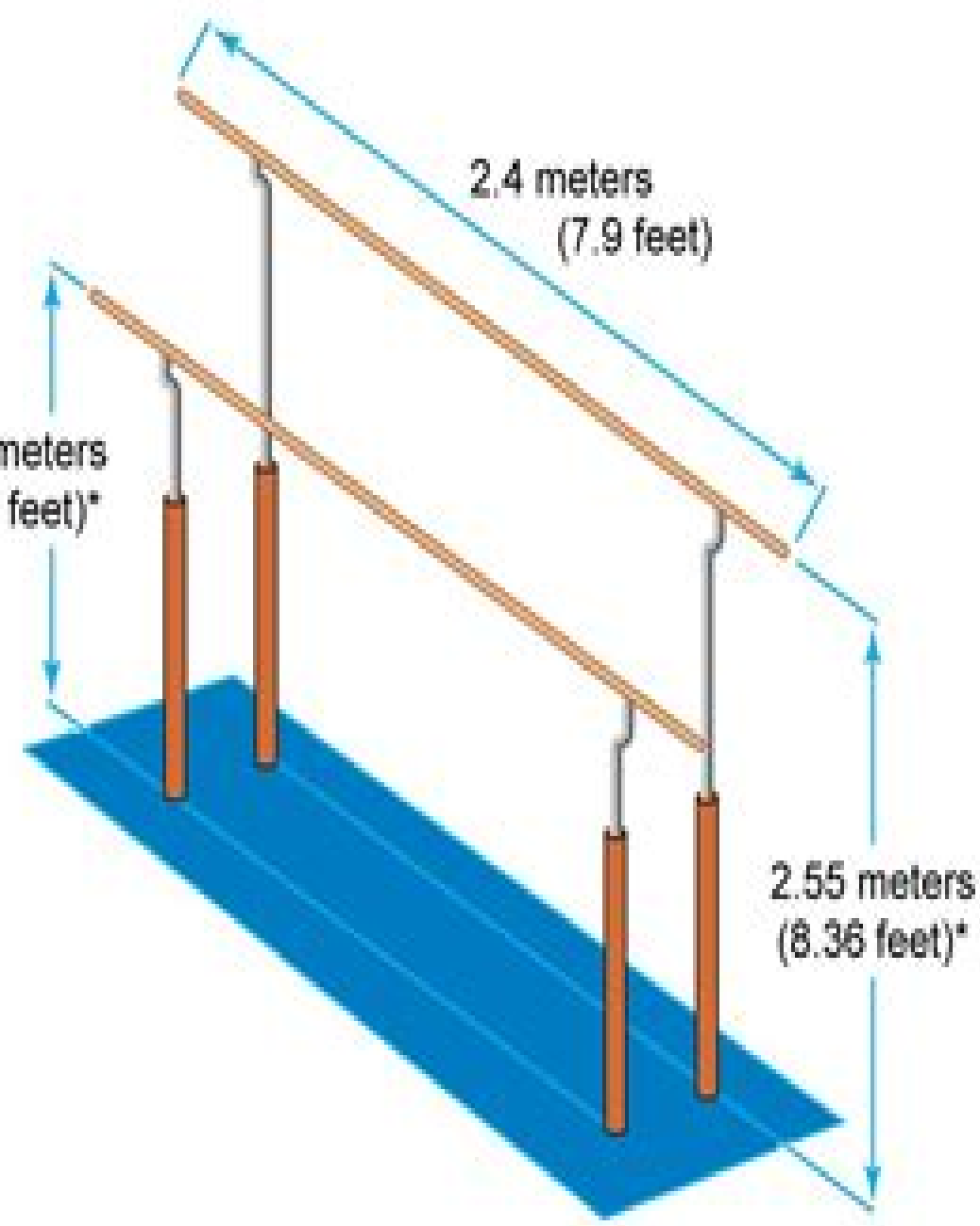


# Uneven parallel bars



1.75 meters  
(5.74 feet)\*



2.4 meters  
(7.9 feet)

2.55 meters  
(8.36 feet)\*

\*Height may be increased by 5 or 10 cm (2 or 4 inches) for taller gymnasts.

# Uneven Parallel Bars

**PT Brinkman**

A decorative graphic element consisting of a light blue horizontal bar with a rounded right end, and a red circular glow behind it.

## **Uneven Parallel Bars:**

Thank you completely much for downloading **Uneven Parallel Bars**. Most likely you have knowledge that, people have look numerous period for their favorite books bearing in mind this Uneven Parallel Bars, but end up in harmful downloads.

Rather than enjoying a fine PDF like a mug of coffee in the afternoon, then again they juggled taking into consideration some harmful virus inside their computer. **Uneven Parallel Bars** is affable in our digital library an online permission to it is set as public correspondingly you can download it instantly. Our digital library saves in combined countries, allowing you to get the most less latency period to download any of our books taking into account this one. Merely said, the Uneven Parallel Bars is universally compatible once any devices to read.

[https://thebrandexperience.com/book/book-search/default.aspx/the\\_birds\\_and\\_the\\_bees\\_guide\\_to\\_allergyfree\\_living\\_isbn0965786706.pdf](https://thebrandexperience.com/book/book-search/default.aspx/the_birds_and_the_bees_guide_to_allergyfree_living_isbn0965786706.pdf)

## **Table of Contents Uneven Parallel Bars**

1. Understanding the eBook Uneven Parallel Bars
  - The Rise of Digital Reading Uneven Parallel Bars
  - Advantages of eBooks Over Traditional Books
2. Identifying Uneven Parallel Bars
  - Exploring Different Genres
  - Considering Fiction vs. Non-Fiction
  - Determining Your Reading Goals
3. Choosing the Right eBook Platform
  - Popular eBook Platforms
  - Features to Look for in an Uneven Parallel Bars
  - User-Friendly Interface
4. Exploring eBook Recommendations from Uneven Parallel Bars
  - Personalized Recommendations
  - Uneven Parallel Bars User Reviews and Ratings

- Uneven Parallel Bars and Bestseller Lists
- 5. Accessing Uneven Parallel Bars Free and Paid eBooks
  - Uneven Parallel Bars Public Domain eBooks
  - Uneven Parallel Bars eBook Subscription Services
  - Uneven Parallel Bars Budget-Friendly Options
- 6. Navigating Uneven Parallel Bars eBook Formats
  - ePub, PDF, MOBI, and More
  - Uneven Parallel Bars Compatibility with Devices
  - Uneven Parallel Bars Enhanced eBook Features
- 7. Enhancing Your Reading Experience
  - Adjustable Fonts and Text Sizes of Uneven Parallel Bars
  - Highlighting and Note-Taking Uneven Parallel Bars
  - Interactive Elements Uneven Parallel Bars
- 8. Staying Engaged with Uneven Parallel Bars
  - Joining Online Reading Communities
  - Participating in Virtual Book Clubs
  - Following Authors and Publishers Uneven Parallel Bars
- 9. Balancing eBooks and Physical Books Uneven Parallel Bars
  - Benefits of a Digital Library
  - Creating a Diverse Reading Collection Uneven Parallel Bars
- 10. Overcoming Reading Challenges
  - Dealing with Digital Eye Strain
  - Minimizing Distractions
  - Managing Screen Time
- 11. Cultivating a Reading Routine Uneven Parallel Bars
  - Setting Reading Goals Uneven Parallel Bars
  - Carving Out Dedicated Reading Time
- 12. Sourcing Reliable Information of Uneven Parallel Bars
  - Fact-Checking eBook Content of Uneven Parallel Bars
  - Distinguishing Credible Sources

13. Promoting Lifelong Learning
  - Utilizing eBooks for Skill Development
  - Exploring Educational eBooks
14. Embracing eBook Trends
  - Integration of Multimedia Elements
  - Interactive and Gamified eBooks

### **Uneven Parallel Bars Introduction**

Uneven Parallel Bars Offers over 60,000 free eBooks, including many classics that are in the public domain. Open Library: Provides access to over 1 million free eBooks, including classic literature and contemporary works. Uneven Parallel Bars Offers a vast collection of books, some of which are available for free as PDF downloads, particularly older books in the public domain. Uneven Parallel Bars : This website hosts a vast collection of scientific articles, books, and textbooks. While it operates in a legal gray area due to copyright issues, its a popular resource for finding various publications. Internet Archive for Uneven Parallel Bars : Has an extensive collection of digital content, including books, articles, videos, and more. It has a massive library of free downloadable books. Free-eBooks Uneven Parallel Bars Offers a diverse range of free eBooks across various genres. Uneven Parallel Bars Focuses mainly on educational books, textbooks, and business books. It offers free PDF downloads for educational purposes. Uneven Parallel Bars Provides a large selection of free eBooks in different genres, which are available for download in various formats, including PDF. Finding specific Uneven Parallel Bars, especially related to Uneven Parallel Bars, might be challenging as theyre often artistic creations rather than practical blueprints. However, you can explore the following steps to search for or create your own Online Searches: Look for websites, forums, or blogs dedicated to Uneven Parallel Bars, Sometimes enthusiasts share their designs or concepts in PDF format. Books and Magazines Some Uneven Parallel Bars books or magazines might include. Look for these in online stores or libraries. Remember that while Uneven Parallel Bars, sharing copyrighted material without permission is not legal. Always ensure youre either creating your own or obtaining them from legitimate sources that allow sharing and downloading. Library Check if your local library offers eBook lending services. Many libraries have digital catalogs where you can borrow Uneven Parallel Bars eBooks for free, including popular titles. Online Retailers: Websites like Amazon, Google Books, or Apple Books often sell eBooks. Sometimes, authors or publishers offer promotions or free periods for certain books. Authors Website Occasionally, authors provide excerpts or short stories for free on their websites. While this might not be the Uneven Parallel Bars full book , it can give you a taste of the authors writing style. Subscription Services Platforms like Kindle Unlimited or Scribd offer subscription-based access to a wide range of Uneven Parallel Bars eBooks, including some popular titles.

### FAQs About Uneven Parallel Bars Books

How do I know which eBook platform is the best for me? Finding the best eBook platform depends on your reading preferences and device compatibility. Research different platforms, read user reviews, and explore their features before making a choice. Are free eBooks of good quality? Yes, many reputable platforms offer high-quality free eBooks, including classics and public domain works. However, make sure to verify the source to ensure the eBook credibility. Can I read eBooks without an eReader? Absolutely! Most eBook platforms offer web-based readers or mobile apps that allow you to read eBooks on your computer, tablet, or smartphone. How do I avoid digital eye strain while reading eBooks? To prevent digital eye strain, take regular breaks, adjust the font size and background color, and ensure proper lighting while reading eBooks. What the advantage of interactive eBooks? Interactive eBooks incorporate multimedia elements, quizzes, and activities, enhancing the reader engagement and providing a more immersive learning experience. Uneven Parallel Bars is one of the best book in our library for free trial. We provide copy of Uneven Parallel Bars in digital format, so the resources that you find are reliable. There are also many Ebooks of related with Uneven Parallel Bars. Where to download Uneven Parallel Bars online for free? Are you looking for Uneven Parallel Bars PDF? This is definitely going to save you time and cash in something you should think about.

### Find Uneven Parallel Bars :

**the birds and the bees guide to allergyfree living isbn0965786706**

**the blueline anthology**

*the boundary element method in engineering a complete course*

*the bone house new poets ser*

the biology of mind

the big of cats

the box man.

the body at thirty

the body-snatcher and other stories by r.l. stevenson everyman short story collection

the big biazarro.

the big otter

the biology of the mycobacteria clinical aspects of mycobacterial disease

the black boxer

the blitz:

the big kitchen mess fisher priced little people storybook

## Uneven Parallel Bars :

**género de violencia un aterrador thriller que te dejará sin aliento** - Oct 07 2023

web aug 30 2017 amazon com género de violencia un aterrador thriller que te dejará sin aliento spanish edition ebook orange s david kindle store

genero de violencia un aterrador thriller que te hallie - Oct 27 2022

web feb 27 2023 to the notice as well as acuteness of this genero de violencia un aterrador thriller que te can be taken as without difficulty as picked to act the five hallie rubenhold 2019 miscast in the media for nearly 130 years the victims of jack the ripper finally get their full stories told in this eye opening and chilling reminder that life for

**genero de violencia un aterrador thriller que te pdf** - Jul 24 2022

web genero de violencia un aterrador thriller que te el himen y el hiyab cárcel de amor aproximaciones al Perú de hoy desde las ciencias sociales república violencia y género en la novela de crímenes victimología en América Latina work and labor in world languages literatures and film a mí también me duele

género de violencia un aterrador thriller que te dejará sin aliento - Apr 01 2023

web género de violencia un aterrador thriller que te dejará sin aliento ebook orange s david amazon com mx tienda kindle

genero de violencia un aterrador thriller que te pdf - Feb 16 2022

web genero de violencia un aterrador thriller que te 3 3 representaciones de la república o la democracia en las novelas contemporáneas cuáles son los casos

genero de violencia un aterrador thriller que te marina - Mar 20 2022

web genero de violencia un aterrador thriller que te this genero de violencia un aterrador thriller que te as one of the most keen sellers here will very be in the middle of the best options to review el guion cinematográfico como pieza audiovisual autónoma adriana villamizar ceballos 2020 01 04

**amazon com customer reviews género de violencia un aterrador** - Jan 30 2023

web find helpful customer reviews and review ratings for género de violencia un aterrador thriller que te dejará sin aliento spanish edition at amazon com read honest and unbiased product reviews from our users

genero de violencia un aterrador thriller que te download - May 22 2022

web genero de violencia un aterrador thriller que te la escritura de la violencia a mí también me duele género y derecho a los que vienen confesiones mi familia mis amigos y mi época derecho penal liberal y dignidad humana dossiers feministes 4

platos i platees dones i violencia als espais cinematografic i escenic

**qué es el género thriller clarín** - Sep 25 2022

web jan 24 2022 con el thriller se procura mantener al lector o espectador en constante tensión el género thriller es uno de los más difíciles de calificar dentro de la literatura ya que no posee una

qué es un thriller y 6 ejemplos para entenderlo y diferenciarlo del - Jun 22 2022

web mar 29 2023 alfred hitchcock es uno de los grandes genios del género títulos como psicosis y la ventana indiscreta son excelentes ejemplos de lo que es un thriller en sospecha disponible en la plataforma flixolé nos presenta la historia de una joven que conoce a un hombre muy atractivo mientras viaja en tren hacia una zona rural de

*genero de violencia un aterrador thriller que te copy db csda* - Jun 03 2023

web genero de violencia un aterrador thriller que te 3 3 y dura ignorancia cada año decenas de personas en españa muchas mujeres pero también hombres y niños jóvenes y mayores de diversa condición social y sexual sufren desamparo ante el maltrato físico sexual psicológico o económico por qué un divorcio o separación pueden

**amazon es opiniones de clientes género de violencia un aterrador** - Dec 29 2022

web vea reseñas y calificaciones de reseñas que otros clientes han escrito de género de violencia un aterrador thriller que te dejará sin aliento en amazon com lea reseñas de productos sinceras e imparciales de nuestros usuarios

**genero de violencia un aterrador thriller que te** - Jul 04 2023

web un thriller estremecedor en el que confluyen el violento mundo de las maras con las redes de tráfico de mujeres y los turbios secretos que ocultan las aparentemente idílicas colonias sudamericanas fundadas por alemanes ethan vive cómodamente como cazarrecompensas en florida hasta que recibe una perturbadora llamada pidiendo auxilio la hija

*genero de violencia un aterrador thriller que te full pdf* - Apr 20 2022

web cárcel de amor genero de violencia un aterrador thriller que te downloaded from mucho goldenpalace com by guest leon mayo el himen y el hiyab universidad iberoamericana a c esta obra analiza el concepto de violencia de género en el ámbito nacional internacional y autonómico

género de violencia un aterrador thriller que te dejará sin aliento - May 02 2023

web género de violencia un aterrador thriller que te dejará sin aliento género de violencia un aterrador thriller que te dejará sin aliento es un libro para descargar gratis en epub pdf y mobi del autor a david orange s descarga tu libro en diversos formatos descargar gratis desde amazon

*genero de violencia un aterrador thriller que te pdf* - Aug 25 2022

web genero de violencia un aterrador thriller que te igualdad de género y participación política a los que vienen mundo gráfico cartografía de los micromachismos dinámicas y violencia simbólica las mujeres que luchan se encuentran tratamiento

de la violencia de género en la prensa vasca poder género y amor 1 dossiers feministes 4

**género de violencia un aterrador thriller que te dejará sin aliento** - Feb 28 2023

web amazon com género de violencia un aterrador thriller que te dejará sin aliento spanish edition ebook orange s david tienda kindle

*thriller género literario y cinematográfico ecured* - Nov 27 2022

web el thriller es un género literario estrechamente emparentado con el de misterio pero con más acción donde predomina el suspenso y el temor de ser víctima de un asesinato por parte del protagonista este género se caracteriza por un ritmo rápido acción frecuente y héroes ingeniosos que deben frustrar planes de más poderosos y mejor

*género de violencia un aterrador thriller que te dejará babelio* - Aug 05 2023

web críticas citas extractos de género de violencia un aterrador thriller que te de david orange s una historia cargada de momentos violentos contados sin ningún remilgo

*género de violencia un aterrador thriller que te dejará sin aliento* - Sep 06 2023

web género de violencia un aterrador thriller que te dejará sin aliento ebook orange s david amazon es tienda kindle

recruiting mindset e kitap frank rechsteiner epub kitap - Sep 09 2023

web rakuten kobo dan frank rechsteiner tarafından recruiting mindset personalgewinnung in zeiten der digitalisierung kitabını okuyun der arbeitsmarkt hat sich in den letzten jahren zunehmend zu einem arbeitnehmermarkt entwickelt recruiter und unternehm

**recruiting mindset inkl augmented reality app overdrive** - Feb 02 2023

web inhalte active sourcing statt post pray die vielen rollen moderner recruiter wie aus mitarbeitern influencer werden unternehmenskultur als alleinstellungsmerkmal mit der kostenlosen app smart haufe wird ihr buch interaktiv augmented reality app für smartphones und tablets ios und android app smart haufe kostenlos

**recruiting mindset inkl augmented reality app per api mobomo** - Feb 19 2022

web recruiting mindset inkl augmented reality app per 1 omb no recruiting mindset inkl augmented reality app per augmented reality expectations vs reality transforming libraries into fun ar experiences with arway ai

**recruiting mindset inkl augmented reality app per michael j** - Jun 25 2022

web recruiting mindset inkl augmented reality app per is available in our digital library an online access to it is set as public so you can download it instantly our book servers hosts in multiple countries allowing you to get the most less latency time to download any of our books like this one

recruiting mindset inkl augmented reality app perlego - Aug 28 2022

web start reading recruiting mindset inkl augmented reality app online and get access to an unlimited library of academic

and non fiction books on perlego

recruiting mindset inkl augmented reality app thalia at - Jun 06 2023

web recruiting mindset inkl augmented reality app von frank rechsteiner buch 978 3 648 12344 7 thalia Über 5 000 000  
bücher versandkostenfrei bei thalia recruiting mindset inkl augmented reality app von frank rechsteiner und weitere bücher  
einfach online bestellen thalia startseite vor ort mein kontomerktzettelwarenkorb

recruiting mindset inkl augmented reality app - Oct 10 2023

web recruiting mindset inkl augmented reality app personalgewinnung in zeiten der digitalisierung rechsteiner frank amazon  
com tr kitap

recruiting mindset personalgewinnung in zeiten der - Jan 01 2023

web mit der kostenlosen app smart haufe wird ihr buch interaktiv augmented reality app für smartphones und tablets ios und  
android app smart haufe kostenlos downloaden buchseiten mit dem smartphone scannen und zusatzfunktionen nutzen

*recruiting mindset buch ebook von frank rechsteiner haufe* - Jul 07 2023

web mit der kostenlosen app smart haufe wird ihr buch interaktiv augmented reality app für smartphones und tablets ios und  
android app smart haufe kostenlos downloaden buchseiten mit dem smartphone scannen und zusatzfunktionen nutzen  
zusatzinhalte nutzen audio gesprächsbeispiele videos checklisten leitfäden

**recruiting mindset inkl augmented reality app perso** - Mar 03 2023

web neben neuen ideen in der kandidatenansprache und im employer branding ist es vor allem wichtig ein neues mindset für  
das recruiting der zukunft zu entwickeln dieses buch zeigt wie sich human resources neu aufstellen muss um beim recruiting  
nachhaltig erfolgreich zu

**9783648123447 recruiting mindset inkl augmented reality app** - Nov 30 2022

web abebooks com recruiting mindset inkl augmented reality app personalgewinnung in zeiten der digitalisierung  
9783648123447 by rechsteiner frank and a great selection of similar new used and collectible books available now at great  
prices

**wie ar und vr das einstellungsverfahren verbessern** - Apr 23 2022

web mar 1 2021 virtual reality vr und augmented reality ar haben das potenzial unsere arbeitsweise zu verändern auch in  
der welt der personalbeschaffung der einsatz von vr und ar im recruiting kann zu einem integrierteren und effizienteren  
prozess führen in diesem artikel beschreiben wir wie ar und vr das einstellungsverfahren

*recruiting mindset inkl augmented reality app per pdf* - May 25 2022

web aug 6 2023 recruiting mindset inkl augmented reality app per 1 9 downloaded from uniport edu ng on august 6 2023 by  
guest recruiting mindset inkl augmented reality app per recognizing the mannerism ways to get this book recruiting mindset

inkl augmented reality app per is additionally useful

[recruiting mindset inkl augmented reality app abebooks](#) - Oct 30 2022

web recruiting mindset inkl augmented reality app personalgewinnung in zeiten der digitalisierung isbn 10 3648123440 isbn 13 9783648123447 hardcover augmented reality app personalgewinnung in zeiten der digitalisierung 9783648123447 abebooks

*recruiting mindset inkl augmented reality app* - Aug 08 2023

web recruiting mindset inkl augmented reality app personalgewinnung in zeiten der digitalisierung ebook written by frank rechsteiner read this book using google play books app on your pc android ios devices download for offline reading highlight bookmark or take notes while you read recruiting mindset inkl

**recruiting mindset inkl augmented reality app berlin** - Jul 27 2022

web browse borrow and enjoy titles from the berlin verbund Öffentlicher bibliotheken vÖbb digital collection

*recruiting mindset personalgewinnung in zeiten der* - May 05 2023

web recruiting mindset personalgewinnung in zeiten der digitalisierung haufe fachbuch rechsteiner frank isbn 9783648123447 kostenloser versand für alle bücher mit versand und verkauf duch amazon

[how to get your recruiting mindset right](#) - Mar 23 2022

web mindset hack choose to embrace a i and understand there is room for both of you in the process let s be honest you are already using some form of a i in the recruitment cycle the candidate searches you do everyday on linkedin they re powered by a i but that s also where technology has its limitations

**recruiting mindset inkl augmented reality app google books** - Apr 04 2023

web neben neuen ideen in der kandidatenansprache und im employer branding ist es vor allem wichtig ein neues mindset für das recruiting der zukunft zu entwickeln dieses buch zeigt wie sich human

*amazon com recruiting mindset inkl augmented reality app* - Sep 28 2022

web mar 15 2019 amazon com recruiting mindset inkl augmented reality app personalgewinnung in zeiten der digitalisierung 9783648123447 rechsteiner frank books

**free download facebook for java for nokia asha 210 app** - Aug 16 2023

web facebook for java he facebook app offers a fast and comprehensive facebook experience on over 2 500 different phones this app not only includes facebook's most popular features such as news feed inbox and photos but also enables you to upload photos and find friends from your phones for nokia asha 210 download app free

[nokia asha 210 wikipedia](#) - Feb 10 2023

web depending by market and mode the asha 210 has a dedicated button for either the whatsapp application facebook or the

web browser 1 2 models sold in singapore indonesia and malaysia support three languages

[facebook messenger now available for nokia asha 5xx devices](#) - Nov 07 2022

web mar 18 2014 download facebook messenger for nokia asha 5xx you can download fb messenger directly from the nokia store app on your nokia asha 500 501 502 or 503 phone by doing a quick search or else by clicking on the following link might require login download facebook messenger

*facebook messenger 1790 13 download for pc free malavida* - Aug 04 2022

web mar 9 2023 facebook messenger 1790 13 81 0 free 6 3 2110 verified safety with facebook messenger for windows you can exchange messages photos videos and voice notes with your contacts on the social network from your pc advertisement **facebook messenger now available for nokia x nokia asha and nokia** - Mar 11 2023

web april 9 2014 in apps with facebook rapidly doubling as an instant messenger the facebook messenger app is now available for the nokia x nokia asha and nokia lumia devices

[whatsapp 2 12 42 version for nokia nokia asha platform facebook](#) - May 01 2022

web whatsapp 2 12 42 version for nokia asha 205 210 2xx series wp me p4hmra 4y

**free download facebook mobile 3 0 1 for nokia asha 210 app** - Jul 15 2023

web oct 14 2023 facebook mobile 3 0 1 facebook mobile for nokia asha 210 download app free

**free download facebook chat for nokia asha 210 app** - Oct 18 2023

web facebook chat now you can chat with your friends on the biggest social network in the world on your for nokia asha 210 download app free

*nokia asha 210 free whatsapp and facebook button techthirsty* - Oct 06 2022

web apr 25 2013 its success with windows phone 8 notwithstanding nokia s busy adding to its lineup of low cost mobile phones the latest is nokia asha 210

[facebook](#) - Mar 31 2022

web meet nokia asha 210 the ultimate social phone nokia ly 12hga2w

**official facebook messenger comes to nokia asha 5xx range** - Dec 08 2022

web mar 18 2014 1 facebook just released its standalone facebook messenger for windows phone and it didn t stop at windows phone official facebook messenger has landed at nokia store for asha 5xx

**nokia launches asha 210 whatsapp phone techradar** - Jul 03 2022

web apr 24 2013 the 210 comes selling itself as the most social asha yet placing its social networking features including facebook and twitter at the heart of the handset owners will also get free lifetime

[facebook messenger for asha lumia and nokia x](#) - Apr 12 2023

web apr 9 2014 now the trendy chat app is not only available for nokia x but also for nokia lumia and nokia asha devices what a hero stripping back likes shares and personal feeds facebook messenger concentrates purely on private conversations between friends you don t need the full facebook app installed either

**facebook messenger now available for nokia asha 5xx devices** - Sep 05 2022

web mar 18 2014 download facebook messenger for nokia asha 5xx you can download fb messenger directly from the nokia store app on your nokia asha 500 501 502 or 503 phone the doing a quick search otherwise else on clicking on the following link might required login pdf facebook runner

*nokia asha 210 facebook* - Jun 02 2022

web nokia asha 210 facebook

facebook for nokia java app download for free on phoneky - Jan 09 2023

web facebook for nokia java app here the latest version of facebook app which can be used in any java phone with all new features this facebook application able to run on almost any phone supports j2mejava info info

facebook messengers info free software download for nokia asha 210 - May 13 2023

web free nokia asha 210 facebook messenger explains some of the frequently asked questions about facebook mobile software download in social networks blogs

nokia asha 210 facebook - Jun 14 2023

web nokia asha 210

**nokia asha 210 facebook** - Feb 27 2022

web nokia asha 210 168 likes app page

**free download facebook chat for nokia asha 210 app** - Sep 17 2023

web facebook chat chat for facebook offers a simplified interface centered around the most important task to let you chat with your for nokia asha 210 download app free