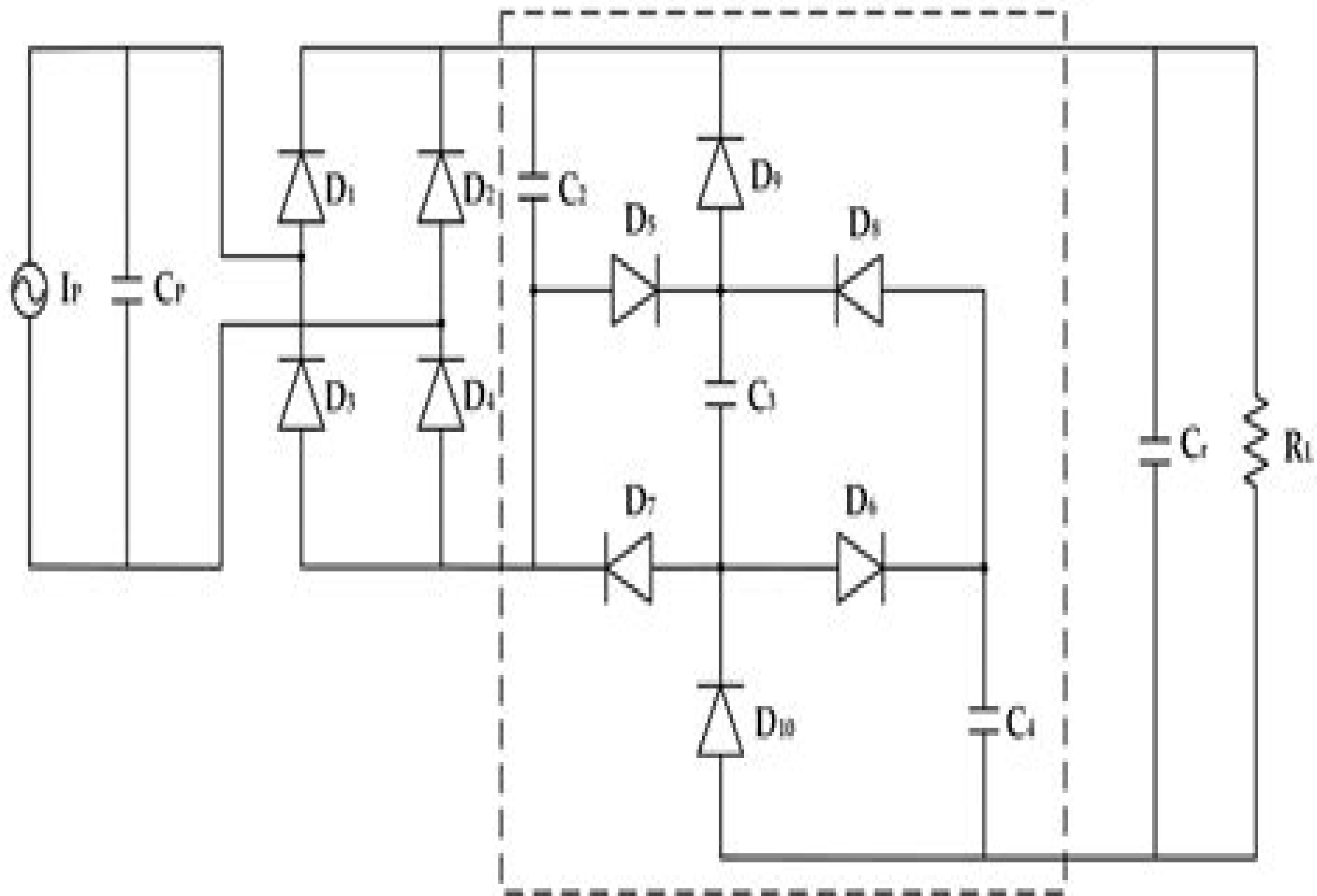


Third-order valley-fill circuit



Third Valley

WJ Hussar



Third Valley:

Awards ... Third Division, National Railroad Adjustment Board United States. National Railroad Adjustment Board,

The Björkan Sagas Harold R. Johnson,2021-10-05 Drawing upon his Cree and Scandinavian roots Harold R Johnson merges myth fantasy and history in this epic saga of exploration and adventure While sorting through the possessions of his recently deceased neighbour Harold Johnson discovers an old handwritten manuscript containing epic stories composed in an obscure Swedish dialect Together they form The Bj rkan Sagas The first saga tells of three Bj rkans led by Juha the storyteller who set out from their valley to discover what lies beyond its borders Their quest brings them into contact with the devious story trader Anthony de Marchand a group of gun toting aliens in search of Heaven and an ethereal Medicine Woman named Lilly In the second saga Juha is called upon to protect his people from invaders bent on stealing the secrets contained within the valley s sacred trees The third saga chronicles the journey of Lilly as she travels across the universe to bring aid to Juha and the Bj rkans who face their deadliest enemy yet The Bj rkan Sagas is a bold innovative fusion of narrative traditions set in an enchanted world of heroic storytellers shrieking Valkyries and fire breathing dragons **The Antiquities of Constantinople** John Ball,2020-07-22 Reproduction of the original The Antiquities of Constantinople by John Ball *Collected papers* Oliver Perry Hay,1916 **DOT AND TOT OF MERRYLAND - A Children's Adventure in 7 Magical Valleys** L Frank Baum,2020-03-08 Dot and Tot of Merryland is a 1901 novel by L Frank Baum who also wrote The Wonderful Wizard of Oz He wrote this story about the adventures of a little girl named Dot and a little boy named Tot in Merryland which is reached by a river which flowed through a tunnel Merryland is split into seven valleys The book was illustrated by artist W W Denslow who had illustrated three previous Baum books Evangeline Dot Freeland is sent to her rich father s country estate Roselawn for her health She soon meets the gardener s son Tot Thompson who becomes her friend and playmate One day they have a picnic and sit in a boat they find by the river which gets away and takes them to a passage in a cliff face that brings them to the magical country of Merryland Merryland is made of seven valleys arranged in a circular pattern connected by a river running through them The first valley is populated by clowns the second is a land in which everything including the people is entirely made of candy and the third the valley where babies grow from blossoms before storks deliver them to their parents The fourth valley is populated by living dolls and is also the home of the Queen of Merryland a large wax doll who makes Dot and Tot her adopted children After Dot and Tot have a day of running the valley by themselves the queen joins Dot and Tot to see the remaining three valleys The fifth valley is populated entirely by cats the sixth valley is run by Mr Split who makes wind up animals The final valley is the Valley of Lost Things where every lost item goes Tot finds a doll he d lost and is allowed to take it with him The Queen decides to allow Dot and Tot to travel onward which will take them back to Roselawn but she will close the way to Merryland forever Returning to the river Dot is found by her father who notices that she no longer looks sickly Tot deduces that the Queen of Merryland who was either interrupted

or forgot to answer when asked her name must be named Dolly KEYWORDS TAGS L Frank Baum Dot Tot Merryland Queen boat little Valley girl children big man look river long white dolls house boy room candy cry eyes eat pretty people right voice hand basket Clowns left soft Majesty music found ever good Scallops soon just exclaim place feet day soldiers wooden course shore water bank well old return houses Split table world home face country Captain palace child play run great declare village cover sleep fairy archway babies Twinkle animals laughter Prince Stork paint street Flippityflop beautiful number wand wish carriage Princess

Statistical Report California. Agriculture, Board of,1923 Acts and Resolutions Passed at the ... Session of the General Assembly of the State of Iowa Iowa,1929 **Annual Reports** ,1921 *The Railroad Telegrapher* ,1916 *Journal of Electricity, Power, and Gas* ,1913 **Cyclone Memoirs** ,1890 **Industrial World** ,1911 *Natural History Survey of the Chicago Academy of Sciences* ,1896 Valleys and Their Relation to Fissures, Fractures, and Faults George Henry Kinahan,1875 **Official Proceedings of the Board of Commissioners of Cook County, Illinois ...** Board of Commissioners of Cook County (Cook County, Ill.),Cook County (Ill.). Board of County Commissioners,1903 Annual Iowa Year Book of Agriculture Iowa. Department of Agriculture,1914 Includes proceedings reports statistics etc of different county and district agricultural institutes and societies **The Journal of Geology** ,1898 The Story of the Rocks Joel Dorman Steele,1877 *The California Dairyman* ,1926 **Atkinson's Evening Post, and Philadelphia Saturday News** ,1919 SCC Library has 1974 89 plus scattered issues

Yeah, reviewing a ebook **Third Valley** could build up your near links listings. This is just one of the solutions for you to be successful. As understood, triumph does not recommend that you have astounding points.

Comprehending as capably as bargain even more than additional will give each success. next to, the broadcast as without difficulty as acuteness of this Third Valley can be taken as without difficulty as picked to act.

https://thebrandexperience.com/data/scholarship/Download_PDFS/visual%20display%20culture%20beyond%20appearances.pdf

Table of Contents Third Valley

1. Understanding the eBook Third Valley
 - The Rise of Digital Reading Third Valley
 - Advantages of eBooks Over Traditional Books
2. Identifying Third Valley
 - Exploring Different Genres
 - Considering Fiction vs. Non-Fiction
 - Determining Your Reading Goals
3. Choosing the Right eBook Platform
 - Popular eBook Platforms
 - Features to Look for in an Third Valley
 - User-Friendly Interface
4. Exploring eBook Recommendations from Third Valley
 - Personalized Recommendations
 - Third Valley User Reviews and Ratings
 - Third Valley and Bestseller Lists
5. Accessing Third Valley Free and Paid eBooks
 - Third Valley Public Domain eBooks

- Third Valley eBook Subscription Services
- Third Valley Budget-Friendly Options
- 6. Navigating Third Valley eBook Formats
 - ePub, PDF, MOBI, and More
 - Third Valley Compatibility with Devices
 - Third Valley Enhanced eBook Features
- 7. Enhancing Your Reading Experience
 - Adjustable Fonts and Text Sizes of Third Valley
 - Highlighting and Note-Taking Third Valley
 - Interactive Elements Third Valley
- 8. Staying Engaged with Third Valley
 - Joining Online Reading Communities
 - Participating in Virtual Book Clubs
 - Following Authors and Publishers Third Valley
- 9. Balancing eBooks and Physical Books Third Valley
 - Benefits of a Digital Library
 - Creating a Diverse Reading Collection Third Valley
- 10. Overcoming Reading Challenges
 - Dealing with Digital Eye Strain
 - Minimizing Distractions
 - Managing Screen Time
- 11. Cultivating a Reading Routine Third Valley
 - Setting Reading Goals Third Valley
 - Carving Out Dedicated Reading Time
- 12. Sourcing Reliable Information of Third Valley
 - Fact-Checking eBook Content of Third Valley
 - Distinguishing Credible Sources
- 13. Promoting Lifelong Learning
 - Utilizing eBooks for Skill Development
 - Exploring Educational eBooks

14. Embracing eBook Trends

- Integration of Multimedia Elements
- Interactive and Gamified eBooks

Third Valley Introduction

In today's digital age, the availability of Third Valley books and manuals for download has revolutionized the way we access information. Gone are the days of physically flipping through pages and carrying heavy textbooks or manuals. With just a few clicks, we can now access a wealth of knowledge from the comfort of our own homes or on the go. This article will explore the advantages of Third Valley books and manuals for download, along with some popular platforms that offer these resources. One of the significant advantages of Third Valley books and manuals for download is the cost-saving aspect. Traditional books and manuals can be costly, especially if you need to purchase several of them for educational or professional purposes. By accessing Third Valley versions, you eliminate the need to spend money on physical copies. This not only saves you money but also reduces the environmental impact associated with book production and transportation. Furthermore, Third Valley books and manuals for download are incredibly convenient. With just a computer or smartphone and an internet connection, you can access a vast library of resources on any subject imaginable. Whether you're a student looking for textbooks, a professional seeking industry-specific manuals, or someone interested in self-improvement, these digital resources provide an efficient and accessible means of acquiring knowledge. Moreover, PDF books and manuals offer a range of benefits compared to other digital formats. PDF files are designed to retain their formatting regardless of the device used to open them. This ensures that the content appears exactly as intended by the author, with no loss of formatting or missing graphics. Additionally, PDF files can be easily annotated, bookmarked, and searched for specific terms, making them highly practical for studying or referencing. When it comes to accessing Third Valley books and manuals, several platforms offer an extensive collection of resources. One such platform is Project Gutenberg, a nonprofit organization that provides over 60,000 free eBooks. These books are primarily in the public domain, meaning they can be freely distributed and downloaded. Project Gutenberg offers a wide range of classic literature, making it an excellent resource for literature enthusiasts. Another popular platform for Third Valley books and manuals is Open Library. Open Library is an initiative of the Internet Archive, a non-profit organization dedicated to digitizing cultural artifacts and making them accessible to the public. Open Library hosts millions of books, including both public domain works and contemporary titles. It also allows users to borrow digital copies of certain books for a limited period, similar to a library lending system. Additionally, many universities and educational institutions have their own digital libraries that provide free access to PDF books and manuals. These libraries often offer academic texts, research papers, and technical manuals, making them invaluable resources for students.

and researchers. Some notable examples include MIT OpenCourseWare, which offers free access to course materials from the Massachusetts Institute of Technology, and the Digital Public Library of America, which provides a vast collection of digitized books and historical documents. In conclusion, Third Valley books and manuals for download have transformed the way we access information. They provide a cost-effective and convenient means of acquiring knowledge, offering the ability to access a vast library of resources at our fingertips. With platforms like Project Gutenberg, Open Library, and various digital libraries offered by educational institutions, we have access to an ever-expanding collection of books and manuals. Whether for educational, professional, or personal purposes, these digital resources serve as valuable tools for continuous learning and self-improvement. So why not take advantage of the vast world of Third Valley books and manuals for download and embark on your journey of knowledge?

FAQs About Third Valley Books

How do I know which eBook platform is the best for me? Finding the best eBook platform depends on your reading preferences and device compatibility. Research different platforms, read user reviews, and explore their features before making a choice. Are free eBooks of good quality? Yes, many reputable platforms offer high-quality free eBooks, including classics and public domain works. However, make sure to verify the source to ensure the eBook credibility. Can I read eBooks without an eReader? Absolutely! Most eBook platforms offer webbased readers or mobile apps that allow you to read eBooks on your computer, tablet, or smartphone. How do I avoid digital eye strain while reading eBooks? To prevent digital eye strain, take regular breaks, adjust the font size and background color, and ensure proper lighting while reading eBooks. What the advantage of interactive eBooks? Interactive eBooks incorporate multimedia elements, quizzes, and activities, enhancing the reader engagement and providing a more immersive learning experience. Third Valley is one of the best book in our library for free trial. We provide copy of Third Valley in digital format, so the resources that you find are reliable. There are also many Ebooks of related with Third Valley. Where to download Third Valley online for free? Are you looking for Third Valley PDF? This is definitely going to save you time and cash in something you should think about. If you trying to find then search around for online. Without a doubt there are numerous these available and many of them have the freedom. However without doubt you receive whatever you purchase. An alternate way to get ideas is always to check another Third Valley. This method for see exactly what may be included and adopt these ideas to your book. This site will almost certainly help you save time and effort, money and stress. If you are looking for free books then you really should consider finding to assist you try this. Several of Third Valley are for sale to free while some are payable. If you arent sure if the books you would like to download works with for usage along with your computer, it is possible to download free trials. The free guides make

it easy for someone to free access online library for download books to your device. You can get free download on free trial for lots of books categories. Our library is the biggest of these that have literally hundreds of thousands of different products categories represented. You will also see that there are specific sites catered to different product types or categories, brands or niches related with Third Valley. So depending on what exactly you are searching, you will be able to choose e books to suit your own need. Need to access completely for Campbell Biology Seventh Edition book? Access Ebook without any digging. And by having access to our ebook online or by storing it on your computer, you have convenient answers with Third Valley To get started finding Third Valley, you are right to find our website which has a comprehensive collection of books online. Our library is the biggest of these that have literally hundreds of thousands of different products represented. You will also see that there are specific sites catered to different categories or niches related with Third Valley So depending on what exactly you are searching, you will be able to choose ebook to suit your own need. Thank you for reading Third Valley. Maybe you have knowledge that, people have search numerous times for their favorite readings like this Third Valley, but end up in harmful downloads. Rather than reading a good book with a cup of coffee in the afternoon, instead they juggled with some harmful bugs inside their laptop. Third Valley is available in our book collection an online access to it is set as public so you can download it instantly. Our digital library spans in multiple locations, allowing you to get the most less latency time to download any of our books like this one. Merely said, Third Valley is universally compatible with any devices to read.

Find Third Valley :

visual display culture beyond appearances

visual basic 3 for windows handbook

virginia northern regional atlas

virtue and reality

virginia northern neck land grants volume ii 1742-1775.

visual and performing arts framework kindergarten through grade twelve

visual faith art theology and worship in dialogue

virginias getting hitched the brubaker brides

virgin sailors

visual basic for network applications

vision of self in early vedanta

visioneers a courage story about belief

visual editing a graphic guide for journalists mass communication

virginia woolf the impact of childhood sexual abuse on her life and work
visual c .net developers handbook with cdrom

Third Valley :

Edexcel GCSE ICT Revision Guide ... This book is good for revision and has great end of unit summary questions, but they give little detail when explaining things which, if you're revising for ... Digital Devices - Part 1 - Edexcel IGCSE ICT 9-1 - YouTube Edexcel IGCSE - ICT - Chapter 1 - Lesson 1 Digital Devices ... GCSE ICT This unit provides an introduction to the modern online world. We will base the course around your current knowledge and build on it to investigate a range ... Edexcel GCSE ICT Revision Guide & Workbook Sample Edexcel GCSE ICT Revision Guide & Workbook Sample - Free download as PDF File (.pdf), Text File (.txt) or read online for free. This is our GCSE ICT sample ... Roger Crawford - Edexcel international GCSE ... Jan 5, 2019 — Check Pages 1-50 of Roger Crawford - Edexcel international GCSE ICT. Revision guide (2013, Pearson Education) in the flip PDF version. GCSE ICT Revision Guides Is the GCSE ICT exam looming? Revise and ace the exams with our adaptive GCSE ICT revision guides and flashcards. Top GCSE ICT Flashcards Ranked by Quality. IGCSE Edexcel ICT Revision Guide Digital • A digital video camera or camcorder records moving images with sound. Recordings can be saved on a memory card or built-in hard disk, and input to a ... International-GCSE-ICT-Student-Book-sample.pdf You can personalise your ActiveBook with notes, highlights and links to your wider reading. It is perfect for supporting your coursework and revision activities ... ICT GCSE Edexcel Chapter 1 - Living in a Digital World GCSE ICT revision notes. 0.0 / 5. ICT GCSE EDEXCEL REVISION. 3.0 / 5 based on 2 ratings. See all ICT resources »See all Communications resources ... Mastering Ninject for Dependency Injection - Amazon Mastering Ninject for Dependency Injection - Amazon Mastering Ninject for Dependency Injection Mastering Ninject for Dependency Injection starts by introducing you to dependency injection and what it's meant for with the help of sufficient examples. Mastering Ninject for Dependency Injection [Book] For .NET developers and architects, this is the ultimate guide to the principles of Dependency Injection and how to use the automating features of Ninject ... Mastering Ninject for Dependency Injection Sep 25, 2013 — Mastering Ninject for Dependency Injection teaches you the most powerful concepts of Ninject in a simple and easy-to-understand format using ... Mastering Ninject for Dependency Injection - Libby Mastering Ninject for Dependency Injection teaches you the most powerful concepts of Ninject in a simple and easy-to-understand format using lots of ... Mastering Ninject for Dependency Injection (Paperback) Mastering Ninject for Dependency Injection teaches you the most powerful concepts of Ninject in a simple and easy-to-understand format using lots of practical ... Mastering Ninject for Dependency Injection: | Guide books Sep 25, 2013 — Learn how Ninject facilitates the implementation of dependency injection to solve common design problems of real-life applications Overview ... Mastering Ninject for Dependency Injection Mastering Ninject for Dependency Injection

starts by introducing you to dependency injection and what its meant for with the help of sufficient examples. Mastering Ninject for Dependency Injection Dependency injection is an approach to creating loosely coupled applications. Maintainability, testability, and extensibility are just a few advantages. Mastering Ninject for Dependency Injection Mastering Ninject for Dependency Injection starts by introducing you to dependency injection and what it's meant for with the help of sufficient examples. Christ in Concrete - Wikipedia Christ in Concrete is a 1939 novel by Pietro Di Donato about Italian-American construction workers. The book, which made Di Donato famous overnight, ... Christ in Concrete - Books - Amazon.com This book takes place in the 1920s. Although it is written as a fictional story, it is based on events that happened to the author as a boy. The main character ... Christ in Concrete - Audio Editions Written in sonorous prose that recalls the speaker's Italian origins, Pietro di Donato's Christ in Concrete is at once a powerful social document and a deeply ... Christ in Concrete Summary | GradeSaver Mar 30, 2021 — The book is based on the story of Paul, an Italian American young man, struggling to provide for his mother, Annunziata, and his siblings ... Christ in concrete : a novel - Audiobook - Learning Ally An uncompromising yet beautiful portrait of the life of Italian immigrants on the Lower East Side of Manhattan in the 1920s, Christ in Concrete is the story ... Christ in Concrete by Pietro Di Donato | Goodreads It follows an (almost) autobiographical story, heartbreaking and heartwarming, heavy on the soul and spirit. Unbelievably tragic and a beautiful book about the ... Christ in Concrete and the Failure of Catholicism Pietro DiDonato's Christ in Concrete is a powerful narrative of the struggles and culture of New York's Italian immigrant laborers in the early twentieth ... Christ in Concrete Summary and Study Guide - SuperSummary Christ in Concrete is a novel based on the real life of author Pietro di Donato, which he expanded from a short story that he placed in the magazine Esquire ... Christ in concrete : [manuscript copy of the short story and first ... 1 knew it----you have not done with me. Torture away! I can not believe you, God and Country, no longer!" His body was fast breaking under the concrete's ... Christ in Concrete - The Atlantic In his Christ in Concrete, di Donato has written an autobiographical account of his childhood amidst the immigrant laboring class. He tells of births, deaths, ...