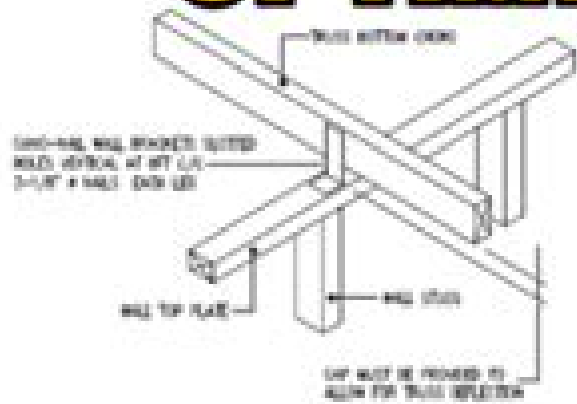
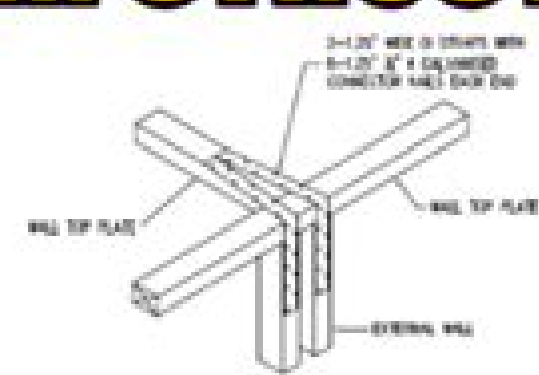


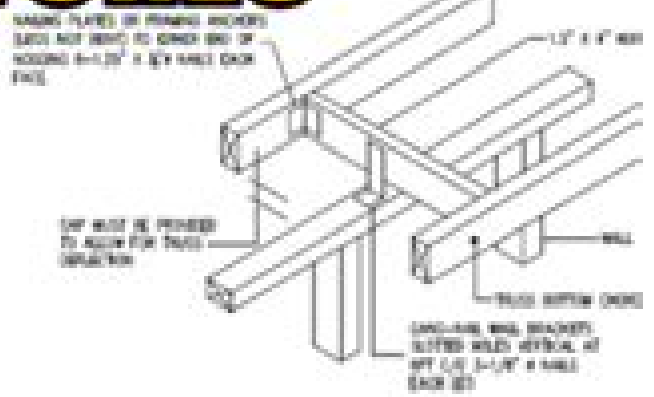
STRUCTURAL DESIGN OF TIMBER STRUCTURES



NON-LOAD BEARING WALL PERPENDICULAR TO TRUSSES



INTERNAL BRACING WALL TO EXTERNAL WALL CONNECTION



NON-LOAD BEARING WALL PARALLEL TO TRUSSES

Structural Timber Design

Daniel F McAuley



Structural Timber Design:

As recognized, adventure as well as experience more or less lesson, amusement, as capably as covenant can be gotten by just checking out a book **Structural Timber Design** afterward it is not directly done, you could give a positive response even more going on for this life, roughly the world.

We meet the expense of you this proper as skillfully as easy exaggeration to acquire those all. We present Structural Timber Design and numerous ebook collections from fictions to scientific research in any way. in the midst of them is this Structural Timber Design that can be your partner.

https://thebrandexperience.com/results/publication/Download_PDFS/Stephanie_Laurens_Cynster_Two_Set_On_A_Wicked_Dawn_On_A_Wild_Night.pdf

Table of Contents Structural Timber Design

1. Understanding the eBook Structural Timber Design
 - The Rise of Digital Reading Structural Timber Design
 - Advantages of eBooks Over Traditional Books
2. Identifying Structural Timber Design
 - Exploring Different Genres
 - Considering Fiction vs. Non-Fiction
 - Determining Your Reading Goals
3. Choosing the Right eBook Platform
 - Popular eBook Platforms
 - Features to Look for in an Structural Timber Design
 - User-Friendly Interface
4. Exploring eBook Recommendations from Structural Timber Design
 - Personalized Recommendations
 - Structural Timber Design User Reviews and Ratings
 - Structural Timber Design and Bestseller Lists

5. Accessing Structural Timber Design Free and Paid eBooks
 - Structural Timber Design Public Domain eBooks
 - Structural Timber Design eBook Subscription Services
 - Structural Timber Design Budget-Friendly Options
6. Navigating Structural Timber Design eBook Formats
 - ePub, PDF, MOBI, and More
 - Structural Timber Design Compatibility with Devices
 - Structural Timber Design Enhanced eBook Features
7. Enhancing Your Reading Experience
 - Adjustable Fonts and Text Sizes of Structural Timber Design
 - Highlighting and Note-Taking Structural Timber Design
 - Interactive Elements Structural Timber Design
8. Staying Engaged with Structural Timber Design
 - Joining Online Reading Communities
 - Participating in Virtual Book Clubs
 - Following Authors and Publishers Structural Timber Design
9. Balancing eBooks and Physical Books Structural Timber Design
 - Benefits of a Digital Library
 - Creating a Diverse Reading Collection Structural Timber Design
10. Overcoming Reading Challenges
 - Dealing with Digital Eye Strain
 - Minimizing Distractions
 - Managing Screen Time
11. Cultivating a Reading Routine Structural Timber Design
 - Setting Reading Goals Structural Timber Design
 - Carving Out Dedicated Reading Time
12. Sourcing Reliable Information of Structural Timber Design
 - Fact-Checking eBook Content of Structural Timber Design
 - Distinguishing Credible Sources
13. Promoting Lifelong Learning

- Utilizing eBooks for Skill Development
 - Exploring Educational eBooks
14. Embracing eBook Trends
- Integration of Multimedia Elements
 - Interactive and Gamified eBooks

Structural Timber Design Introduction

Structural Timber Design Offers over 60,000 free eBooks, including many classics that are in the public domain. Open Library: Provides access to over 1 million free eBooks, including classic literature and contemporary works. Structural Timber Design Offers a vast collection of books, some of which are available for free as PDF downloads, particularly older books in the public domain. Structural Timber Design : This website hosts a vast collection of scientific articles, books, and textbooks. While it operates in a legal gray area due to copyright issues, its a popular resource for finding various publications. Internet Archive for Structural Timber Design : Has an extensive collection of digital content, including books, articles, videos, and more. It has a massive library of free downloadable books. Free-eBooks Structural Timber Design Offers a diverse range of free eBooks across various genres. Structural Timber Design Focuses mainly on educational books, textbooks, and business books. It offers free PDF downloads for educational purposes. Structural Timber Design Provides a large selection of free eBooks in different genres, which are available for download in various formats, including PDF. Finding specific Structural Timber Design, especially related to Structural Timber Design, might be challenging as theyre often artistic creations rather than practical blueprints. However, you can explore the following steps to search for or create your own Online Searches: Look for websites, forums, or blogs dedicated to Structural Timber Design, Sometimes enthusiasts share their designs or concepts in PDF format. Books and Magazines Some Structural Timber Design books or magazines might include. Look for these in online stores or libraries. Remember that while Structural Timber Design, sharing copyrighted material without permission is not legal. Always ensure youre either creating your own or obtaining them from legitimate sources that allow sharing and downloading. Library Check if your local library offers eBook lending services. Many libraries have digital catalogs where you can borrow Structural Timber Design eBooks for free, including popular titles. Online Retailers: Websites like Amazon, Google Books, or Apple Books often sell eBooks. Sometimes, authors or publishers offer promotions or free periods for certain books. Authors Website Occasionally, authors provide excerpts or short stories for free on their websites. While this might not be the Structural Timber Design full book , it can give you a taste of the authors writing style. Subscription Services Platforms like Kindle Unlimited or Scribd offer subscription-based access to a wide range of Structural Timber Design eBooks, including some popular titles.

FAQs About Structural Timber Design Books

1. Where can I buy Structural Timber Design books? Bookstores: Physical bookstores like Barnes & Noble, Waterstones, and independent local stores. Online Retailers: Amazon, Book Depository, and various online bookstores offer a wide range of books in physical and digital formats.
2. What are the different book formats available? Hardcover: Sturdy and durable, usually more expensive. Paperback: Cheaper, lighter, and more portable than hardcovers. E-books: Digital books available for e-readers like Kindle or software like Apple Books, Kindle, and Google Play Books.
3. How do I choose a Structural Timber Design book to read? Genres: Consider the genre you enjoy (fiction, non-fiction, mystery, sci-fi, etc.). Recommendations: Ask friends, join book clubs, or explore online reviews and recommendations. Author: If you like a particular author, you might enjoy more of their work.
4. How do I take care of Structural Timber Design books? Storage: Keep them away from direct sunlight and in a dry environment. Handling: Avoid folding pages, use bookmarks, and handle them with clean hands. Cleaning: Gently dust the covers and pages occasionally.
5. Can I borrow books without buying them? Public Libraries: Local libraries offer a wide range of books for borrowing. Book Swaps: Community book exchanges or online platforms where people exchange books.
6. How can I track my reading progress or manage my book collection? Book Tracking Apps: Goodreads, LibraryThing, and Book Catalogue are popular apps for tracking your reading progress and managing book collections. Spreadsheets: You can create your own spreadsheet to track books read, ratings, and other details.
7. What are Structural Timber Design audiobooks, and where can I find them? Audiobooks: Audio recordings of books, perfect for listening while commuting or multitasking. Platforms: Audible, LibriVox, and Google Play Books offer a wide selection of audiobooks.
8. How do I support authors or the book industry? Buy Books: Purchase books from authors or independent bookstores. Reviews: Leave reviews on platforms like Goodreads or Amazon. Promotion: Share your favorite books on social media or recommend them to friends.
9. Are there book clubs or reading communities I can join? Local Clubs: Check for local book clubs in libraries or community centers. Online Communities: Platforms like Goodreads have virtual book clubs and discussion groups.
10. Can I read Structural Timber Design books for free? Public Domain Books: Many classic books are available for free as they're in the public domain. Free E-books: Some websites offer free e-books legally, like Project Gutenberg or Open Library.

Find Structural Timber Design :

stephanie laurens cynster two set on a wicked dawn on a wild night

step one play piano step one

stepping motors monographs in electrical and electronic engineering.

stepping out of the plane under the protection of the army

still in steam signed

stemware identification featuring cordials with values 1920s1960s

still she haunts me

stew leonards winning recipes cookbook 1

steward of christendom

steve ditkos static

sticks and stones and other poems

steel crocodile 78575

stedmans illustrated dictionary of dermatology eponyms

stereochemistry mechanism silicon

steinbeck country revisited

Structural Timber Design :

letter against professor for disorganization incompetence sample - Feb 09 2023

web sample letter darling dean i am writing this letter to hut ampere complaint against mr peter wayne assistant professor sociology department mr wayne has had training about with the last two year also more a class we have

how to file a complaint against a professor the classroom - Jan 08 2023

web jun 25 2018 review your university s policy on filing a formal complaint verify that your issue falls under the judicial process for example if you simply don t agree with the professor s teaching methods or feel that he is a tough grader the college won t likely follow up on the complaint

sample complaint letter against professor alluwell com - Jun 01 2022

web mar 30 2017 sample complaint letter against professor to vice chancellor punjab technical lahore istrian republic of pakistan subject complaint letter count professor respected mr

complaint letter against unprofessional behavior of professor - Oct 05 2022

web oct 10 2020 through this letter i wish to inform you about the unprofessional behavior of one away the professors ernannt mr johnson your kind attention determination be a great virtue additionally we all utter you thank in anticipation of resolving our issue

letter against professor for disorganization incompetence - Jul 14 2023

web oct 4 2021 he can investigate it further take the required action and attempt to rectify it in a way that is feasible for the institution professor as well as students sample letter dear dean i am writing this letter to lodge a complaint against mr peter wayne assistant professor sociology department

complaint letter against unprofessional behavior of professor - Jul 02 2022

web oct 10 2020 a sample appeal letter for with academic dismissal regarded sir we take decided to write you which letter because we believe that you are the alone person who can resolve unsere problem by means of his unprofessional attitude the said educator have proved himself disastrous for us

how to write a complaint letter against an instructor - Nov 06 2022

web if a teacher uses inappropriate language or exhibits unacceptable behavior students have the right to object by submitting a letter of complaint to the instructor s supervisor to ensure

letter against professor for disorganization incompetence - Apr 11 2023

web what is a complaint written against a professor a zeichen to make a polite complaint about the professor for disorganization and incompetence is one letter that is written by at individual student or ampere class representative and is addressed to the head of the academic institution

sample complaint letter against professor bloodytrade com complaint - Feb 26 2022

web mar 30 2017 sample complaint letter against professor complaints are valid when based on logics and true factors oppose any person of to educational setup senior lecturers and professors are human beings and they can commit irrturn and can be harsh sometimes filing complaint against them must to taken positively and as corrective measure

sample complaint letter against professor gateswinhere com letter - Jan 28 2022

web mar 30 2017 filing complaint against them need can taken positively both as core measure this format is helpful on those whoever wanted on file file against professor in a mild way sample complaint letter against tutor to vice chancellor punjab university lahore islamic republic of pakistan subject complaint letter opposes professor

teaching how to react professionally when you receive a complaint - Mar 30 2022

web feb 23 2016 65 i got a surprising email from the department chair today saying that one student has made a complaint against me it seems that one of my weaker students felt that my tone in an office hour was mocking and felt uncomfortable because of it i have not yet heard the details of the incident

complaint letter against teacher semioffice com - Dec 07 2022

web sample application letters to complaint against the teacher lecturer professor in school college university hostel warden available below complaint letter about school teacher dear principal we are writing to bring it to your notice that our english teacher name of teacher is not good in teaching and

sample complaint letter against professor documentshub com - Aug 15 2023

web mar 30 2017 sample complaint letter against professor complaints are valid if based on logics and true factors against any person of the educational setup senior teachers and professors are human beings and they can commit mistakes and can be harsh sometimes filing complaint against them must be taken positively and as corrective

letter against professor for disorganization incompetence - May 12 2023

web what is a complaint letter against adenine professor a letter go make a polite complaint info the professor for disarray and incompetence is a letter the is written by an individual student or a class representative and is addressed on that head of the academic institution in this letters the student excuse the problem and complains about

complaint letter against unprofessional behavior of professor - Jun 13 2023

web oct 10 2020 through this letter i wish to inform you about the unprofessional behavior of one of the professors named mr johnson he was placed as a substitute for our mathematics professor after his sickness i am very sorry to say that the substituted professor is lagging far behind in terms of professional behavior

sample complaint letter against professor exhibitbase com - Apr 30 2022

web mar 30 2017 sample lodging letter against professor complaints are applicable if based on logics or true factors against any individual of the educational setup senior teachers additionally professors are human beings the they can commit mistakes and can be harsh sometimes

sample complaint letter against professor medialab24 com - Sep 04 2022

web mar 30 2017 sample complaint letter against professor to vice chancellor punjab university lahore islamic republic of pakistan subject complaint zuschrift against professor related sir with due respect or honour it

complaint letter against misbehaviour of teacher professor - Mar 10 2023

web jun 16 2021 sample letter student name school name class x reg x date name of the principal subject subject line respected sir ma am i am a student of grade 9 section d at xyz school i am a proud student at your school who has been taught the best principles of moral values i have learned a lot from this school

how to file a complaint against a professor the classroom - Aug 03 2022

web a complaint is usually valid when you think the professor has held in a method is violates the university code of escort or is otherwise unscrupulous or wrong following the proper procedure expedites the process since a faster resolution

sample complaint letter against professor tapauking com file - Dec 27 2021

web mar 30 2017 subject complaint letter versus professor respected sir with unpaid respect and honour to is to state that i am my of ms ibtesam haider who is studying in final semester of english literature in the english department of this prestigious institute

unscramble - Jan 07 2023

web unscramble words word find like the pros do you want to just look up a word or find the best word to play in scrabble or words with friends unscramble words takes letters in any order and runs the servers word finder code and shows you every word click the word to see the in depth definition thus the name word finder

unscramble named unscrambled 50 words from letters in named - Feb 25 2022

web how many words can be made from named above are the words made by unscrambling n a m e d ademn our unscramble word finder was able to unscramble these letters using various methods to generate 50 words having a unscramble tool like ours under your belt will help you in all word scramble games

unscramble words from letters word unscrambler tool - Jul 13 2023

web oct 18 2023 unscramble words with the best word finder dictionary tool a free word unscrambler to unscramble letters fast great for words with friends and scrabble go

unscramble name 220 words with name unscrambled - Jul 01 2022

web 7 letter words 8 letter words 2 letter words with name unscrambled ae am an ma na 3 letter words with name unscrambled ace age aim ain ale ama ami amp amu ana and ane ani ant any ape are arm ate

word unscrambler unscramble words from letters word - May 11 2023

web word unscrambler helps you to find the best cheats and highest scoring words for scrabble words with friends and many other word games when playing words with friends or scrabble you can come across tricky tiles no matter our skill level it s sometimes useful to make use of a tool like unscramble and get a fresh perspective on

unscramble popular unscrambled 73 words from letters in popular - Aug 02 2022

web 5 letter words made by unscrambling letters popular appro parol polar poral poulp proul pulao pupal raupo 9 words found advertisement 4 letter words made by unscrambling letters popular loup lour opal oral oupa palp parp

unscramble famous unscrambled 57 words from letters in famous - Sep 15 2023

web it will help you the next time these letters f a m o u s come up in a word scramble game we stopped it at 42 but there are so many ways to scramble famous you can unscramble famous afmosu into 57 words click to learn more about the unscrambled words in these 6 scrambled letters famous

unscramble names words unscrambled from letters names scrabble word - Mar 29 2022

web above are the results of unscrambling names using the word generator and word unscrambler for the letters n a m e s we unscrambled the letters to create a list of all the words found in scrabble words with friends and text twist we found a total of 42 words by unscrambling the letters in names

[word unscrambler unscramble letters to find words](#) - Aug 14 2023

web 7 letter words hulzier huskier etc 6 letter words shrike hikers quirks squire lushier relish etc 5 letter words hiker hikes skier shirk hurls lures liers etc 4 letter words hike risk rise heir rule rush rusk slur sure silk sukh etc 3 letter words her his ski hie qis sir lie etc 2 letter words hi sh is er qi etc

[unscrambler scrabble word finder](#) - Feb 08 2023

web 4 letter words 216 found 5 letter words 253 found 6 letter words 160 found 7 letter words 79 found 8 letter words 17 found 9 letter words 1 found 10 letter words 1 found 11 letter words 1 found 857 playable words can be made from unscrambler ab ae al am an ar as ba be el

name unscrambler unscramble names middle names best - Oct 04 2022

web top 100 girl names boy names and unisex names for april 2022 august 2022 ultimate baby name list baby name games old testament baby names name search site search name meaning advanced name search use our name unscrambler to unscramble names in baby shower games online games and just for fun

unscramble famous 39 words with the letters famous word - Dec 06 2022

web showing 10 of 14 words advertisement unscramble famous for cheat answers from the scrabble and words with friends official word lists click here to find 39 words with famous for free

unscramble names unscrambled 62 words from letters in names - Oct 16 2023

web you can unscramble names aemns into 62 words click to learn more about the unscrambled words in these 5 scrambled letters names

unscramble famous 34 unscrambled words from letters famous - Sep 03 2022

web 6 letter words by unscrambling famous famous 5 letter words by unscrambling famous foams 4 letter words by unscrambling famous amus foam moas oafs sofa soma sumo 3 letter words by unscrambling famous amu fas fou mas moa mos mus oaf oms sau som sou sum 2 letter words by unscrambling famous am as fa ma mo mu of

[word unscrambler](#) - Mar 09 2023

web word unscrambler word unscrambler is an easy to use online website for unscrambling and finding the best word to play which is usually by value you can generate words for scrabble words with friends wordle texttwist and many more games just enter your letters and press unscramble it and words will be displayed

unscramble name unscrambled 24 words from letters in name - Jun 12 2023

web you can unscramble name aemn into 24 words click to learn more about the unscrambled words in these 4 scrambled letters name

[names unscrambled letters anagram of names unscramble words](#) - May 31 2022

web word unscrambler results we have unscrambled the anagram names and found 61 words that match your search query where can you use these words made by unscrambling names all of the valid words created by our word finder are perfect for use in a huge range of word scramble games and general word games

[unscramble names anagram of names letters to words](#) - Apr 29 2022

web word unscrambler for names words made by unscrambling letters names has returned 42 results we have unscrambled the letters names using our word finder we used letters of names to generate new words for scrabble words with friends text twist and many other word scramble games

word finder unscrambler dictionary com - Apr 10 2023

web unscramble letters to make words and get the best scoring words with this generator use this word finder for wordle scrabble words with friends and other word games find words by entering letters into the unscrambler or choose from a word list below

word unscrambler unscramble letters into words wordfind - Nov 05 2022

web just for puzzles or something more serious also called anagrams jumbled words and phrases are thousands of years old and once acted as coded messages individuals and groups alike including the military used them to send sensitive information to

[user manual perkins 250 kva darelova](#) - Jul 02 2022

web simply stated the user manual perkins 250 kva is internationally congruent with any devices to browse it will exceedingly relaxation you to see guide user manual perkins 250 kva as you such as

perkins 250 kva generator - Apr 11 2023

web 250 standard preheater batteries and cables electronic battery charger fuel tank integrated in the chassis flexible fuel hoses and oil drain valve electrostatic powder painted chassis made of steel sheet welded stainless galvanized steel design output values standby power kva kw ampere prime power kva kw ampere 250 200 360 230 184 331

250 kva perkins meccalte diesel generator - Dec 07 2022

web comprehensive user manual protection switches for high engine temprature low oil pressure wiring to control panel manual start 3 pole mcb mccb mounted in control panel deep sea 7120 module ats panel 4 pole changeover contactors 2 indicators for mains available mains on load generator available generator on load phase failure monitor

user manual perkins 250 kva pdf - Jan 28 2022

web acuteness of this user manual perkins 250 kva can be taken as well as picked to act wind energy explained james f manwell 2010 09 14 wind energy s bestselling textbook fully revised this must have second edition includes up to date data diagrams illustrations and thorough new material on the fundamentals of wind turbine aerodynamics

[perkins 250 330 kva e disti](#) - Jun 13 2023

web technical specifications engine perkins series heavy duty diesel engine 4 cycle water cooled turbocharged air to air charge cooled direct injection electronic governor system 24 volt self starter and charger alternator changeable air fuel and oil filter tropical type radiator flexible fuel pipe oil discharge valve and extention pipe

[user manual perkins 250 kva pdf 2023 red ortax](#) - Apr 30 2022

web user manual perkins 250 kva pdf introduction user manual perkins 250 kva pdf 2023 standard handbook for mechanical engineers 1925 stiffnuts self locking nuts 1992 design manual 1986 energy efficient motor systems steven nadel 1991 motors use more than half of all electricity this book outlines an approach for increasing

user manual perkins 250 kva pdf cybersmash - Jun 01 2022

web user manual perkins 250 kva is available in our digital library an online access to it is set as public so you can download it instantly our digital library spans in multiple countries allowing you to get the most less latency time to download any of our books like this one

[user manual perkins 250 kva pdf pdf voto uncal edu](#) - Dec 27 2021

web user manual perkins 250 kva pdf upload caliva f ferguson 1 18 downloaded from voto uncal edu br on august 18 2023 by caliva f ferguson user manual perkins 250 kva pdf user manual perkins 250 kva pdf user manual perkins 250 kva pdf book review unveiling the power of words in a world driven by information and connectivity the

[operation and maintenance manuals perkins](#) - Aug 15 2023

web this page provides links to download operation and maintenance manuals omm for perkins engines omms provide all the information you need to keep your engine running properly day in day out they include details on regular maintenance intervals together with technical data and guidance omms cover the following topics safety product information

user manual perkins 250 kva 2015eeglobalsip - Feb 26 2022

web apr 8 2023 user manual perkins 250 kva is easily reached in our digital library an online entrance to it is set as public suitably you can download it instantly our digital library saves

[perkins 250 330 kva](#) - Jan 08 2023

web perkins series heavy duty diesel engine 4 cycle water cooled turbocharged air to air charge cooled direct injection electronic governor system 24 volt self starter and charger alternator changeable air fuel and oil filter tropical type radiator flexible fuel pipe

user manual perkins 250 kva pdf free support ortax - Sep 04 2022

web user manual perkins 250 kva pdf introduction user manual perkins 250 kva pdf free

250 kva 200 kw powered by perkins mpg - Feb 09 2023

web kva 250 kw 200 standby power available in the event of a main power network failure up to a maximum of 500 hr year of which 300 hours may be run continuously load factor maybe up to 100 of standby power

etpg 275 pdf 250 kva perkins pdf pdf diesel engine scribd - Mar 10 2023

web powered by perkins diesel generator set model etpg275 industrial range powered by perkins generating rates prime standby kva 250 275 kw 200 220 power rating power rated speed r p m 1500 standard voltage 400 available voltages 400 230 230 132 230 v cos phi 0 8 rated at power factor

250kva perkins diesel generator c yorpower - Oct 05 2022

web the perkins 250 kva generator model with a prime power output of 250 kva 200 kw and a standby output of 275kva 220kw at 0 8 power factor 3 phase 4 wire 415 240 400 230 380 220 volts 50 hz at 1500 rpm the complete generating set is mounted in a heavy gauge steel weatherproof and acoustic enclosure

greenpower perkins diesel power generator 250kva 200kw - Nov 06 2022

web fuel tank 250 liters with leak protection click here to view the engine manual in line displacement 8 8 liters bore x stroke 112 x 149 mm prime running power prp 250 kva 200 kw emergency stand by power esp 275 kva 220 kw speed 1500 rpm governor electronic fuel consumption 42 liter hour perkins engine manual

perkins series diesel generator sets 650 825 kva - Aug 03 2022

web perkins series heavy duty diesel engine 4 cycle water cooled turbocharged air to air cooled turbocharged air to water cooled direct injection electronic governor system 24 volt self starter and charger alternator

annex a diesel generator 250 kva specifications - Mar 30 2022

web diesel generator 250 kva specifications three phase four wires 50hz at 1500 rpm silent type guarantee period one year or 1000 hours whichever comes first general features preferred engine brand perkins cummins caterpillar or equivalent alternator type european type or equivalent oil and fuel filter fitted water separator

p275 5 250 kva to 275 kva diesel generator perkins engine - May 12 2023

web 225 375 kva range 225 to 375 kva diesel generator sets as your power needs increase this cost effective generator set range delivers a powerful performance with world class power density compact and durable they can easily be manoeuvred into position whatever the installation conditions

250 kva perkins 50hz series diesel generator sets e pr em 0250 - Jul 14 2023

web easy maintenance modular type sound proof canopy 3 phase diesel warning system for decreasing fuel with electronic

fuel level sender remote control system standby rating for a standby engine should be sized for a maximum of