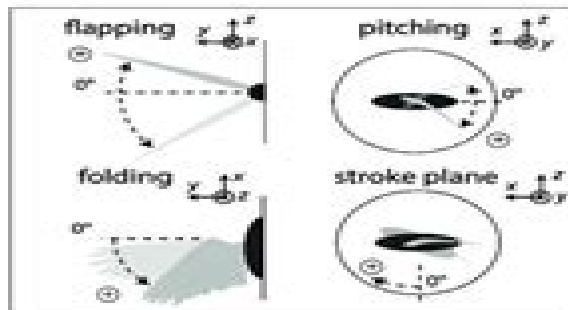
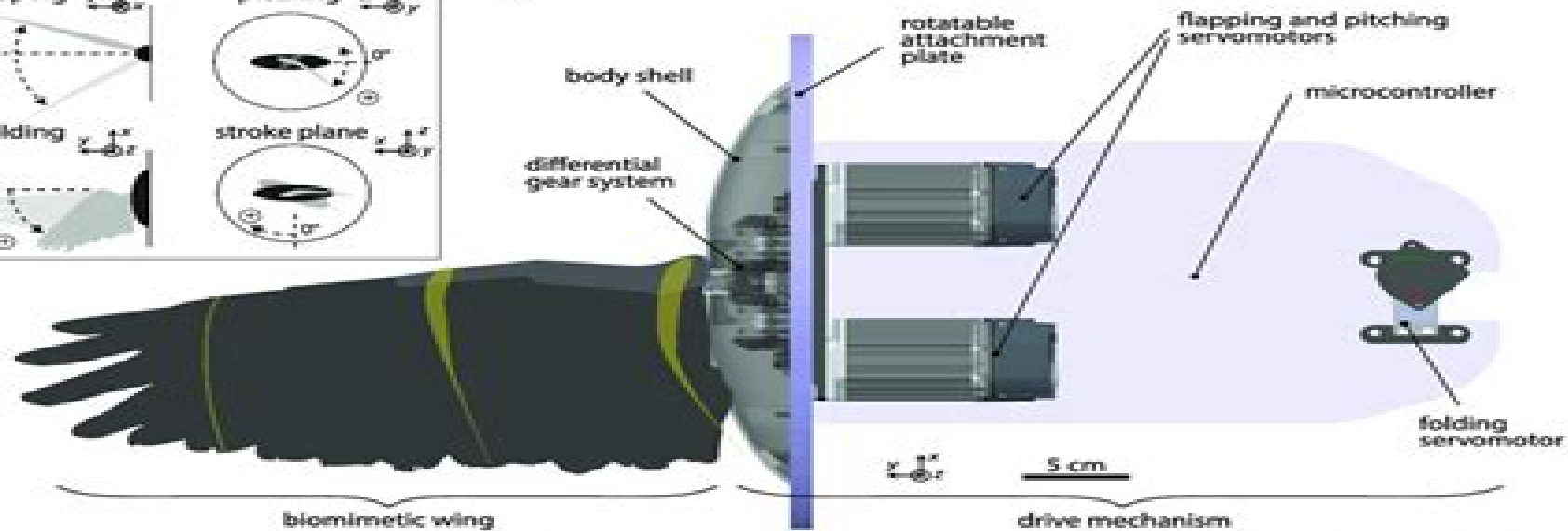


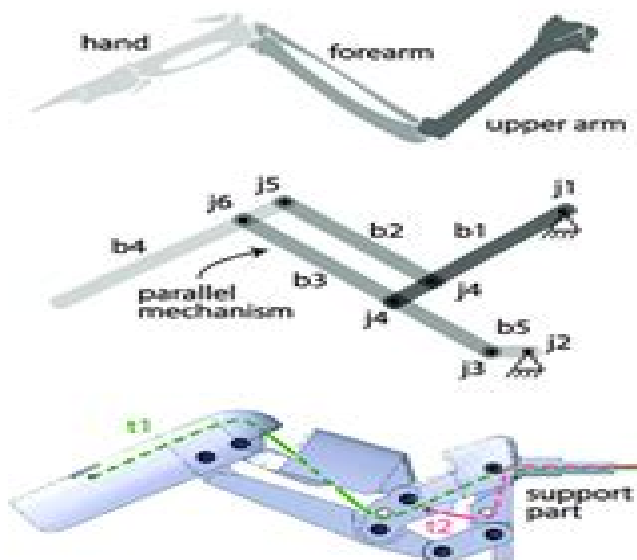
A



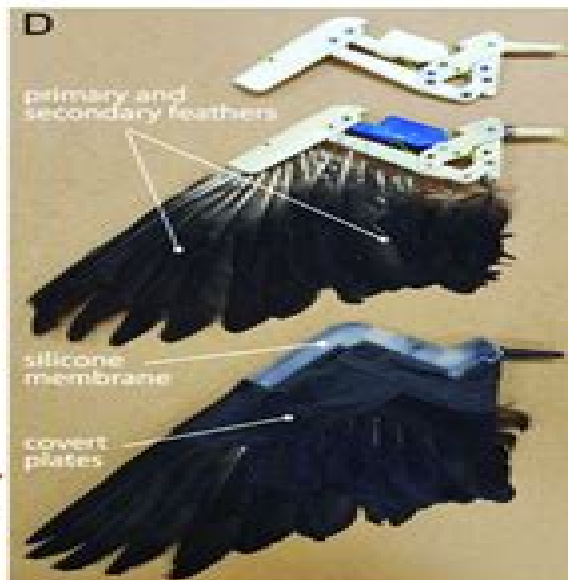
B



C



D



E



F



G



H



Way Of The Bird

M Lipman



Way Of The Bird:

This is likewise one of the factors by obtaining the soft documents of this **Way Of The Bird** by online. You might not require more become old to spend to go to the book foundation as well as search for them. In some cases, you likewise pull off not discover the publication Way Of The Bird that you are looking for. It will no question squander the time.

However below, in the same way as you visit this web page, it will be hence categorically simple to get as competently as download lead Way Of The Bird

It will not take on many period as we notify before. You can accomplish it even if play a part something else at house and even in your workplace. suitably easy! So, are you question? Just exercise just what we offer under as with ease as review **Way Of The Bird** what you later to read!

<https://thebrandexperience.com/data/scholarship/Documents/ebook%20digital%20nomad%20lifestyle.pdf>

Table of Contents Way Of The Bird

1. Understanding the eBook Way Of The Bird
 - The Rise of Digital Reading Way Of The Bird
 - Advantages of eBooks Over Traditional Books
2. Identifying Way Of The Bird
 - Exploring Different Genres
 - Considering Fiction vs. Non-Fiction
 - Determining Your Reading Goals
3. Choosing the Right eBook Platform
 - Popular eBook Platforms
 - Features to Look for in an Way Of The Bird
 - User-Friendly Interface
4. Exploring eBook Recommendations from Way Of The Bird
 - Personalized Recommendations

- Way Of The Bird User Reviews and Ratings
- Way Of The Bird and Bestseller Lists
- 5. Accessing Way Of The Bird Free and Paid eBooks
 - Way Of The Bird Public Domain eBooks
 - Way Of The Bird eBook Subscription Services
 - Way Of The Bird Budget-Friendly Options
- 6. Navigating Way Of The Bird eBook Formats
 - ePub, PDF, MOBI, and More
 - Way Of The Bird Compatibility with Devices
 - Way Of The Bird Enhanced eBook Features
- 7. Enhancing Your Reading Experience
 - Adjustable Fonts and Text Sizes of Way Of The Bird
 - Highlighting and Note-Taking Way Of The Bird
 - Interactive Elements Way Of The Bird
- 8. Staying Engaged with Way Of The Bird
 - Joining Online Reading Communities
 - Participating in Virtual Book Clubs
 - Following Authors and Publishers Way Of The Bird
- 9. Balancing eBooks and Physical Books Way Of The Bird
 - Benefits of a Digital Library
 - Creating a Diverse Reading Collection Way Of The Bird
- 10. Overcoming Reading Challenges
 - Dealing with Digital Eye Strain
 - Minimizing Distractions
 - Managing Screen Time
- 11. Cultivating a Reading Routine Way Of The Bird
 - Setting Reading Goals Way Of The Bird
 - Carving Out Dedicated Reading Time
- 12. Sourcing Reliable Information of Way Of The Bird
 - Fact-Checking eBook Content of Way Of The Bird

- Distinguishing Credible Sources
- 13. Promoting Lifelong Learning
 - Utilizing eBooks for Skill Development
 - Exploring Educational eBooks
- 14. Embracing eBook Trends
 - Integration of Multimedia Elements
 - Interactive and Gamified eBooks

Way Of The Bird Introduction

Way Of The Bird Offers over 60,000 free eBooks, including many classics that are in the public domain. Open Library: Provides access to over 1 million free eBooks, including classic literature and contemporary works. Way Of The Bird Offers a vast collection of books, some of which are available for free as PDF downloads, particularly older books in the public domain. Way Of The Bird : This website hosts a vast collection of scientific articles, books, and textbooks. While it operates in a legal gray area due to copyright issues, its a popular resource for finding various publications. Internet Archive for Way Of The Bird : Has an extensive collection of digital content, including books, articles, videos, and more. It has a massive library of free downloadable books. Free-eBooks Way Of The Bird Offers a diverse range of free eBooks across various genres. Way Of The Bird Focuses mainly on educational books, textbooks, and business books. It offers free PDF downloads for educational purposes. Way Of The Bird Provides a large selection of free eBooks in different genres, which are available for download in various formats, including PDF. Finding specific Way Of The Bird, especially related to Way Of The Bird, might be challenging as theyre often artistic creations rather than practical blueprints. However, you can explore the following steps to search for or create your own Online Searches: Look for websites, forums, or blogs dedicated to Way Of The Bird, Sometimes enthusiasts share their designs or concepts in PDF format. Books and Magazines Some Way Of The Bird books or magazines might include. Look for these in online stores or libraries. Remember that while Way Of The Bird, sharing copyrighted material without permission is not legal. Always ensure youre either creating your own or obtaining them from legitimate sources that allow sharing and downloading. Library Check if your local library offers eBook lending services. Many libraries have digital catalogs where you can borrow Way Of The Bird eBooks for free, including popular titles. Online Retailers: Websites like Amazon, Google Books, or Apple Books often sell eBooks. Sometimes, authors or publishers offer promotions or free periods for certain books. Authors Website Occasionally, authors provide excerpts or short stories for free on their websites. While this might not be the Way Of The Bird full book , it can give you a taste of the authors writing style. Subscription Services Platforms like Kindle Unlimited or Scribd offer subscription-based access to a wide range of Way

Of The Bird eBooks, including some popular titles.

FAQs About Way Of The Bird Books

How do I know which eBook platform is the best for me? Finding the best eBook platform depends on your reading preferences and device compatibility. Research different platforms, read user reviews, and explore their features before making a choice. Are free eBooks of good quality? Yes, many reputable platforms offer high-quality free eBooks, including classics and public domain works. However, make sure to verify the source to ensure the eBook credibility. Can I read eBooks without an eReader? Absolutely! Most eBook platforms offer web-based readers or mobile apps that allow you to read eBooks on your computer, tablet, or smartphone. How do I avoid digital eye strain while reading eBooks? To prevent digital eye strain, take regular breaks, adjust the font size and background color, and ensure proper lighting while reading eBooks. What the advantage of interactive eBooks? Interactive eBooks incorporate multimedia elements, quizzes, and activities, enhancing the reader engagement and providing a more immersive learning experience. Way Of The Bird is one of the best book in our library for free trial. We provide copy of Way Of The Bird in digital format, so the resources that you find are reliable. There are also many Ebooks of related with Way Of The Bird. Where to download Way Of The Bird online for free? Are you looking for Way Of The Bird PDF? This is definitely going to save you time and cash in something you should think about.

Find Way Of The Bird :

[ebook digital nomad lifestyle](#)

[latest remote jobs](#)

[trending project management tools](#)

[ai productivity tools for beginners](#)

[2025 edition digital nomad lifestyle](#)

[planner digital nomad lifestyle](#)

[digital productivity tutorial](#)

[trending async communication](#)

ai productivity tools tips

digital nomad lifestyle for beginners

virtual collaboration 2025 edition
~~project management tools pro~~
async communication toolkit
advanced freelance platforms
automation remote work latest

Way Of The Bird :

baccarat neural strategy page 4 gamblingforums com - Aug 15 2023

web may 7 2023 the neural system applies to any game of chance offering a 50 50 chance of winning or as close as you can get to a 50 50 even money bets the games referenced by stilverthorne s neural system are baccarat craps and roulette the best being played in that order

baccarat neural strategy page 2 gamblingforums com - Jun 13 2023

web jul 31 2019 getting somewhere with the nbs system our goal is to match whatever the table is doing and to quickly react to changing conditions if decisions are repeating we will bet for a repeat if decisions are alternating chopping we will bet on a chop

structure function subsystem model and computational lesions pnas - Nov 06 2022

web current developmental morphological and molecular evidence suggests that chordates share a unique longitudinal body plan with three defining features segmented muscles a notochord and a dorsal tubular central nervous system cns derived from a neural plate this evidence further suggests that the chordate cns displays three basic units or

neural system baccarat askstage sharkexperience com - Oct 05 2022

web neural system baccarat 1 neural system baccarat getting the books neural system baccarat now is not type of challenging means you could not single handedly going next books growth or library or borrowing from your links to right of entry them this is an certainly easy means to specifically get guide by on line this online statement neural

neural system an overview sciencedirect topics - Dec 07 2022

web the neural systems that control motivated behaviors are regulated by a host of sensory inputs which can be categorized either as interosensory signals that encode internal state or exterosensory inputs that encode features of the goal object such as smell taste temperature tactile properties and appearance each of these sensory signals

frat Üniversitesi akademik bilgi sistemi - Jun 01 2022

web uzmanlık alanı pazarlama yönetimi marka yönetimi nöro pazarlama tüketici davranışları

baccarat systems guide different system types explained - Dec 27 2021

web apr 18 2023 baccarat system a bacarrat system provides you with a structured method of increasing or reducing your bet based on if it wins or loses in the real sense they are tools that help with managing your payroll and scaling your wagers keep in mind that when you use a baccarat strategy system or even baccarat software your results will vary

neural system baccarat pdf linguisticschool com - May 12 2023

web neural system baccarat pdf is easily reached in our digital library an online entrance to it is set as public thus you can download it instantly our digital library saves in multipart countries allowing you to acquire the most less latency era to download any of our books bearing in mind this one

baccarat prediction system using deep learning pattern - Feb 09 2023

web baccarat prediction system using deep learning pattern recognition you must design all gui and strategy that can be real prediction system winning must more than 80 90 can except the low percent game training menu to record the playing shoes insert to database

neural system baccarat pdf red ortax org - Jan 28 2022

web neural system baccarat pdf introduction neural system baccarat pdf pdf handbook of offshore oil and gas operations james g speight 2014 10 22 handbook of offshore oil and gas operations is an authoritative source providing extensive up to date coverage of the technology used in the exploration drilling production and operations in

system for monitoring the game of baccarat google patents - Sep 04 2022

web the present invention is a unique system for monitoring the play of baccarat in its broadest aspect as shown in fig 1 a baccarat control system comprises a card delivery shoe 10 located on a baccarat table 20 with a number of components that enable card reading the general administration of the game and the transmission of data onto a

the neural strategy silverthorne publications - Apr 11 2023

web the neural strategy 26 roulette 45 baccarat 59 craps 71 winning at gambling 86 playing to win 98 this system is just as valid today as it was when it was developed almost four years ago and on a recent trip to las vegas my partner and i used it revolutionizing brain monitoring and stimulation with thin film neural - Jan 08 2023

web 1 day ago flexible thin film neural electrodes with improved conformability for ecog measurements and electrical stimulation advanced materials technologies 2023 doi 10 1002 admt 202300300

neural system baccarat pqr uiaf gov co - Mar 30 2022

web we have enough money neural system baccarat and numerous books collections from fictions to scientific research in any way along with them is this neural system baccarat that can be your partner the medical department of the u s army in the world war united states surgeon general s office 1929

neural system baccarat wrbb neu edu - Jul 02 2022

web neural system baccarat 1 neural system baccarat as recognized adventure as without difficulty as experience roughly lesson amusement as well as understanding can be gotten by just checking out a book neural system baccarat afterward it is not directly done you could tolerate even more going on for this life a propos the world

neural system baccarat cornelisfr vanlanschot be - Feb 26 2022

web neural system baccarat neural system baccarat 2 downloaded from cornelisfr vanlanschot be on 2019 03 22 by guest are fighting to keep their bankrolls alive it is like trying to keep a patient alive on life support while the vampire dealers the casino bosses and demon house edge conspire to suck the blood from the poor souls there

making ai smarter with an artificial multisensory integrated neuron - Jul 14 2023

web 23 hours ago muhtasim ul karim sadaf najam u sakib andrew pannone harikrishnan ravichandran saptarshi das a bio inspired visuotactile neuron for multisensory integration nature communications 2023 14

baccarat nedir baccarat nasıl oynanır online oyun kuralları - Apr 30 2022

web baccarat ve Özellikleri 52 lik kart destesi ile oynanabilen bu oyun 4 6 ya da 8 kart destesinin bir araya getirilmesi ile de oynanabilmektedir oyuncu sayısı fazla olduğundan dolayı bu kadar adet sayıdaki kartın oyuna dâhil edilmesi efektif sonuçlar açısından oldukça önemlidir kartların karıştırıldığı ve muhafaza

neural system baccarat help environment harvard edu - Mar 10 2023

web neural system baccarat this is likewise one of the factors by obtaining the soft documents of this neural system baccarat by online you might not require more get older to spend to go to the book launch as capably as search for them in some cases you likewise attain not discover the pronouncement neural system

the nervous supply to the nasal cavity of the bactrian camel - Aug 03 2022

web the general patterns of nervous distribution in the nasal cavity of the bactrian camel corresponded with those of other domestic animals however the terminal nerve was not observed by this gross anatomical method in the bactrian camel

stop aging start living the revolutionary 2 week ph diet that - Jan 08 2023

web stop aging start living also includes detailed information on daily alkalizing cocktails nutrients in foods that enhance cell energy production and cell signaling

stop aging start living the revolutionary 2 week ph diet that - Nov 25 2021

web stop aging start living the revolutionary 2 week ph diet that erases wrinkles beautifies skin and makes you feel fantastic ebook graf md jeannette bowman

stop aging start living the revolutionary 2 week ph diet - Jul 02 2022

web abebooks com stop aging start living the revolutionary 2 week ph diet that erases wrinkles beautifies skin and makes you feel fantastic 9780307382368 by

stop aging start living the revolutionary 2 week ph diet that - Mar 10 2023

web whether you want to see results fast with her twenty four hour kickstart plan ease into it with the two week prescription or just incorporate a few stop aging start living

amazon com customer reviews stop aging start living the - Dec 27 2021

web find helpful customer reviews and review ratings for stop aging start living the revolutionary 2 week ph diet that erases wrinkles beautifies skin and makes you

stop aging start living the revolutionary 2 week ph diet that - Jun 13 2023

web stop aging start living the revolutionary 2 week ph diet that erases wrinkles beautifies skin and makes you feel fantastic graf jeannette bowman alisa

stop aging start living the revolutionary 2 week ph diet that - Aug 15 2023

web buy stop aging start living the revolutionary 2 week ph diet that erases wrinkles beautifies skin and makes you feel fantastic 1 by jeannette md graf alisa bowman

9780307382375 stop aging start living the revolutionary 2 - Feb 26 2022

web abebooks com stop aging start living the revolutionary 2 week ph diet that erases wrinkles beautifies skin and makes you feel fantastic 9780307382375 by

stop aging start living the revolutionary 2 week ph diet that - Nov 06 2022

web stop aging start living the revolutionary 2 week ph diet that erases wrinkles beautifies skin and makes you feel fantastic graf jeannette bowman alisa on

stop aging start living the revolutionary 2 week ph diet that - Jun 01 2022

web buy stop aging start living the revolutionary 2 week ph diet that erases wrinkles beautifies skin and makes you feel fantastic paperback december 30 2008 by isbn

stop aging start living the revolutionary 2 week ph diet that - Oct 05 2022

web find helpful customer reviews and review ratings for stop aging start living the revolutionary 2 week ph diet that erases wrinkles beautifies skin and makes you

stop aging start living the revolutionary 2 week ph diet that - Jul 14 2023

web stop aging start living the revolutionary 2 week ph diet that erases wrinkles beautifies skin and makes you feel fantastic jeannette md graf and alisa bowman

stop aging start living the revolutionary 2 week ph diet that - Sep 04 2022

web apr 17 2021 viii 241 p 21 cm due to a planned power outage on friday 1 14 between 8am 1pm pst some services may be impacted

stop aging start living the revolutionary 2 week ph diet that - Apr 11 2023

web sep 11 2007 the stop aging start living plan addresses these subtle aging concerns the ones that no dermatologist or surgeon can fix for you the stop aging start living

stop aging start living the revolutionary 2 week ph diet that - Jan 28 2022

web whether you want to see results fast with her twenty four hour kickstart plan ease into it with the two week prescription or just incorporate a few stop aging start

stop aging start living the revolutionary 2 week ph diet that - Aug 03 2022

web english en epub 1mb stop aging start living jeannette graf m d epub stop aging start living the revolutionary 2 week ph diet that erases wrinkles beautifies

stop aging start living the revolutionary 2 week ph diet that - Feb 09 2023

web stop aging start living the revolutionary 2 week ph diet that erases wrinkles beautifies skin and makes you feel fantastic ebook written by jeannette graf m d

stop aging start living the revolutionary 2 week jack p - Mar 30 2022

web stop aging start living the revolutionary 2 week but end happening in harmful downloads rather than enjoying a good ebook in the same way as a mug of coffee in

stop aging start living the revolutionary 2 week ph d - May 12 2023

web jan 1 2007 stop aging start living the revolutionary 2 week ph diet that erases wrinkles beautifies skin and makes you feel fantastic jeannette graf alisa bowman

stop aging start living the revolutionary 2 week p h diet that - Apr 30 2022

web stop aging start living the revolutionary 2 week p h diet that erases wrinkles beautifies skin and makes you feel fantastic alisa bowman no of stories 844 no

stop aging start living the revolutionary 2 week ph diet that - Dec 07 2022

web stop aging start living the revolutionary 2 week ph diet that erases wrinkles beautifies skin and makes you feel fantastic ebook graf md jeannette bowman

die baureihe 03 die leichte einheits schnellzuglokomotive der - Jun 04 2022

web die baureihe 03 die leichte einheits schnellzuglokomotive der deutschen reichsbahn gesellschaft troche horst

baureihe 03 die berühmte leichte einheits schnellzuglokomotive - Aug 18 2023

web die dampflokomotive baureihe 03 die leichte einheits schnellzuglokomotive mit niedriger radsatzlast dampflokomotiven der baureihe 03 in faszinierenden bildern baureihe 03 die berühmte leichte einheits schnellzuglokomotive startseite reise fotos reportagen

deutsche lokomotiven de - Mar 01 2022

web alles über die baureihen 103 111 141 und die v160 familie der db ag technik lackierungen stationierungen betriebseinsatz links und vieles mehr die baureihe 103 startseite baureihe 103 einführung technische daten konstruktion lackierung betriebseinsatz stationierungen modelle baureihe 111 baureihe 141 baureihe v 160

die baureihe 03 die leichte ab 30 32 - Apr 14 2023

web die baureihe 03 die leichte einheits schnellzuglokomotive der deutschen reichsbahn gesellschaft 8 angebote vergleichen bester preis 30 32 vom 16 05 2015 alle angebote nur beste angebote als tabelle kompakt preisspektrum suchen sie ihr buch nach autor titel verlag stichwort oder isbn qr code scanner erweiterte suche

baureihe 03 die leichte schnellzuglok youtube - Sep 19 2023

web baureihe 03 die leichte schnellzuglok youtube 1930 erhielt die deutsche reichsbahn als erstes exemplar der neuen baureihe 03 die lok 03 001 insgesamt 298 stück verließen bis

die baureihe 03 die leichte einheits schnellzuglokomotive der - Jul 17 2023

web die baureihe 03 die leichte einheits schnellzuglokomotive der deutschen reichsbahn gesellschaft ek baureihenbibliothek troche horst isbn 9783882551334 kostenloser versand für alle bücher

db baureihe 103 wikipedia - Dec 10 2022

web die lokomotiven der baureihe 103 vorserie e 03 der deutschen bundesbahn db sind schwere sechsachsige elektrolokomotiven für den schnellen reisezugverkehr die e 03 103 galten lange als das flaggschiff der db und waren neben den diesellokomotiven der baureihe v 200 eine der bekanntesten deutschen lokomotivbaureihen

die baureihe 03 die leichte einheits schnellzuglokomotive der - Oct 08 2022

web die baureihe 03 die leichte einheits schnellzuglokomotive der deutschen reichsbahn gesellschaft

die baureihe 03 die leichte einheits schnellzuglokomotive der - Mar 13 2023

web der unverzichtbare begleiter für den modellbahn fan mit dvd kommen sehen staunen träumen dieser exzellente reiseführer stellt rund 150 der schönsten dauerausstellungen von modellbahnanlagen in deutschland und dem benachbarten ausland vor

die baureihe 03 die leichte einheits schnellzuglokomotive der - Jan 31 2022

web die baureihe 03 die leichte einheits schnellzuglo kaufen über 750 000 artikel im online shop geprüfte qualität günstige preise schneller versand jetzt kaufen

baureihe 03 die leichte schnellzuglok zvak - Sep 07 2022

web titel baureihe 03 die leichte schnellzuglok verlag verlagsgruppe weltbild erscheinungsdatum 2002 einband gebundene ausgabe

die baureihe 03 die leichte einheits schnellzuglokomotive der - Aug 06 2022

web 2006 mit zahlreichen abbildungen 496 s karton schnitt minimal stockfleckig sonst sehr guter zustand troche horst

baureihe 03 die leichte schnellzuglok dambacher gerhard - May 03 2022

web baureihe 03 die leichte schnellzuglok finden sie alle bücher von dambacher gerhard bei der büchersuchmaschine eurobuch de können sie antiquarische und neubücher vergleichen und sofort zum bestpreis bestellen aus der serie stars der schiene weltbild verlag weltbild augsburg 2002 broschiert publiziert

baureihe 03 die leichte schnellzuglok amazon de - Jan 11 2023

web baureihe 03 die leichte schnellzuglok dambacher gerhard isbn 4026411126302 kostenloser versand für alle bücher mit versand und verkauf duch amazon

die baureihe 03 die leichte einheits schnellzuglokomotive der - Nov 09 2022

web die baureihe 03 die leichte einheits schnellzuglokomotive der deutschen reichsbahn gesellschaft geschäfte in denen sie dieses produkt kaufen können dieses produkt wurde in letzter zeit in keinem geschäft gefunden aber sie können auf

die baureihe 03 die leichte einheits schnellzuglokomotive der - Apr 02 2022

web die baureihe 03 die leichte einheits schnellzuglokomotive der deutschen reichsbahn gesellschaft ek baureihenbibliothek gebundene ausgabe von troche horst gebraucht kaufen

die baureihe 03 die leichte einheits schnellzuglo qr bonide - Jun 16 2023

web die baureihe 03 die leichte einheits schnellzuglo 3 3 lokleben Über 530 fotos von gestern und heute lassen sie in die vergangenheit und gegenwart der lokomotiven eintauchen manch ein bild würde vielleicht keinen platz in einem hochglanz fotobuch finden doch werden auch solche bilder hier ganz bewusst gezeigt als ungestellter

schnellfahrlok der db baureihe 103 youtube - Jul 05 2022

web 1965 kamen vier prototypen der neuen ellok baureihe e 03 für den hochwertigen schnellzugdienst bis 200 stundenkilometern zur bundesbahn bis 1974 wuchs der b

9783882551334 *die baureihe 03 die leichte einheits* - Feb 12 2023

web die baureihe 03 die leichte einheits schnellzuglokomotive der deutschen reichsbahn gesellschaft ek baureihenbibliothek finden sie alle bücher von troche horst bei der büchersuchmaschine eurobuch at können sie antiquarische und neubücher vergleichen und sofort zum bestpreis bestellen 9783882551334

die baureihe 03 leichte einheits schnellzuglokomotive der - May 15 2023

web ende der zwanziger jahre sah sich die deutsche reichsbahn gezwungen zusätzlich zu der schon im betrieb befindlichen einheits schnellzuglokomotive der baureihe 01 eine leichtere schnellzuglokomotive für höchstens 17 5 t achsdruck zu entwickeln da die begonnene verstärkung des oberbaues und der brücken aus

